



## 使用說明書

12"掛牆扇  
FB-3005

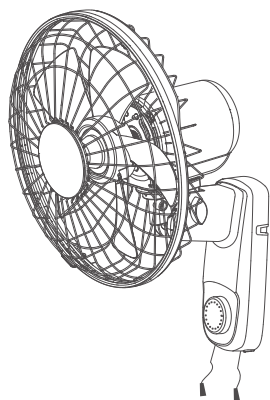
為正確使用本產品，請在使用前仔細閱讀本說明書，  
並請妥善保存以供今後參考。



173309900394

The product is subject to change without notice.  
The graphs in this instruction manual may be different  
from the actual products; please refer to the actual products.

衷心感謝您購買本公司的產品，  
希望您使用愉快！



## 目錄

### 安全注意事項

安全注意事項 ..... 2

### 產品說明

部件名稱 ..... 3

規格參數 ..... 3

### 產品安裝及使用

安裝方法 ..... 4

操作說明 ..... 5

### 維護保養

清潔保養 ..... 6

保用期資料 ..... 7

請嚴格按照本說明書要求正確使用本產品。

為避免造成人員傷害及財產損失，列出了以下安全注意事項，請務必執行。  
不執行安全注意事項而錯誤使用時可能導致事故發生。

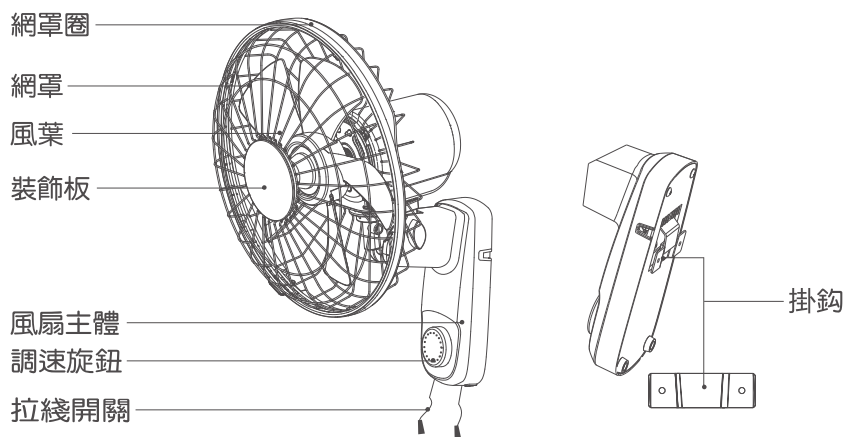
## 禁止事項

- 器具不打算由存在肢體、感官或精神能力缺陷或缺少使用經驗和知識的人(包括兒童)使用，除非有負責他們安全的人對他們進行與器具使用有關的監督或指導。應照看好兒童，確保他們不玩耍本器具。
- 請勿在靠近窗簾的位置使用；不要在網罩上懸掛外物，以免破壞風扇平衡及轉動結構。
- 請勿將風扇放置或安裝到斜面，避免傾倒或其它異常。
- 禁止在潮濕、高溫、多塵或儲存酸鹼處使用，避開火源或易燃物。
- 在不使用或維護保養時必須切斷電源並拔下電源插頭。  
※不可用濕手插、拔電源插頭。

## 遵守事項

- 如果電源軟綫損壞，為避免危險，必須由制造商、其維修部或類似部份的專業人員更換。
- 安裝過程中，請勿接通電源；移動風扇時，請切斷電源。
- 風扇運轉期間，切勿把手指、尖物插入網罩內，以免造成人身傷害或破壞風扇。
- 嬰兒、老人、病人請勿長時間吹風。
- 本產品祇適用於家庭使用。

## 部件名稱



## 規格參數

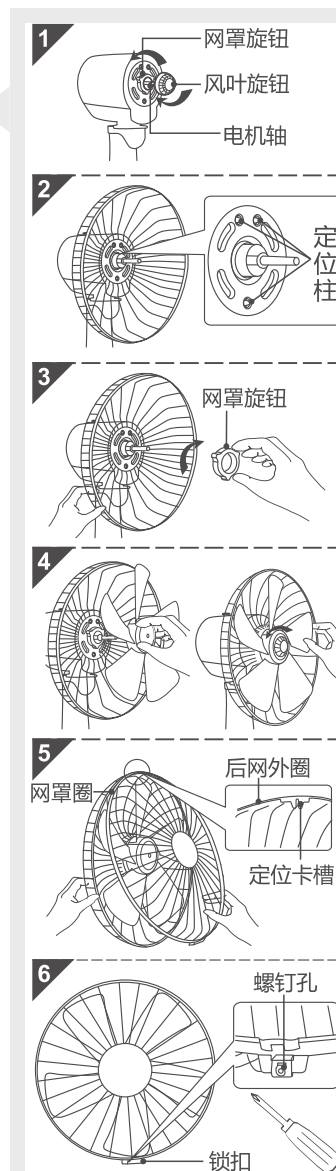
注: 下述參數若有更改, 請以產品銘牌為準。

產品型號	FB-3005
額定電壓	220V~
額定頻率	50Hz
額定功率	50W

## 安裝方法

注意: 安裝風扇時, 禁止將電源綫插頭插在電源插座裏。

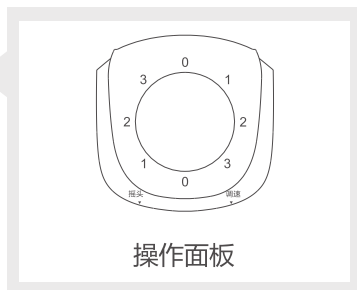
- 一祇手固定電機軸, 另一祇手順時針旋出風葉旋鈕; 然後逆時針旋出網罩旋鈕。(如圖1)
- 把後網上的孔對準電機罩蓋上的定位柱, 往後推, 確保定位柱聳出孔。(如圖2)
- 一祇手托住後網, 另一祇手將網罩旋鈕沿順時針方向旋入電機罩蓋上, 使其將後網緊固在電機罩蓋上。(如圖3)
- 將風葉軸孔對準電機軸, 對齊軸銷并卡到位。用手握住風葉, 將風葉旋鈕沿逆時針方向旋入電機軸上, 直至鎖緊。(如圖4)
- 先把網罩圈上的螺釘擰出放好, 將前網與後網呈一定夾角, 然後將網罩圈上端的定位卡槽挂于後網外圈上(注意: 安裝時將前網擺正), 雙手同時用力將前網套于後網上。(如圖5)
- 鎖上鎖扣, 將之前擰出的螺釘鎖緊鎖扣。(如圖6)
- 在牆上將配送的挂板用3顆專用螺釘固定在您所需的牆壁上(其葉片應高于地面2.3m以上), 再把已裝好風葉和網罩的風扇整機挂到挂鈎上。
- 將電源綫插頭插入通電的插座裏, 風扇即可使用。



## 操作說明

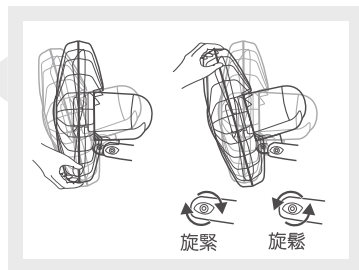
### 調速

- 接通電源後，可使風扇啟動和調速；
- 拉動調速開關拉綫使調速旋鈕旋轉至“3”，風扇處於高速運轉；
- 拉動調速開關拉綫使調速旋鈕旋轉至“2”，風扇處於中速運轉；
- 拉動調速開關拉綫使調速旋鈕旋轉至“1”，風扇處於低速運轉；
- 拉動調速開關拉綫使調速旋鈕旋轉至“0”，風扇停止運轉。



### 搖頭

- 要使風扇搖頭，拉動搖頭拉綫開關即可。拉動一次搖頭拉綫開關，風扇開始左右搖頭，再拉動一次搖頭拉綫開關，水平搖頭停止工作，如此反覆循環。



### 俯仰送風

- 調節如右圖所示，旋鬆俯仰調節旋鈕，用手適當掰動機頭，調節俯仰角度至適當位置後，旋緊俯仰調節旋鈕即可。

## 清潔保養

1. 清潔保養時，禁止將電源綫插頭插在電源插座裏。
2. 保養時，請用軟布浸溫水或廚房專用洗潔劑後擰幹擦拭風扇，然後用軟的乾布擦淨。
3. 請勿使操作面板用硬物或用力擦拭，以免刮花風扇表面。
4. 保養時，請勿使用香蕉水、酒精、鹼性洗潔精、去污粉、揮發劑等，以防止風扇變色及腐蝕。
5. 保養後，再次使用前請檢查所有部件是否安裝到位。

### 保用期資料

1. 由購買日期計正常使用下提供兩年保用。
2. 客戶請 網上 [www.masswinning.com](http://www.masswinning.com) 登記。
3. 保用不包括下列各項：
  - A. 產品錯誤使用、被更改、天災、因運輸拆卸不當、錯誤測試、不合格維修及錯誤使用。
  - B. 更換、修理、及翻新外殼、機身或不影響產品功能。
  - C. 產品的包裝、運輸費及出入口關稅或任何相關費用。
4. **請妥善保存產品購買發票/單據。必須出示產品購買發票/單據方可獲兩年保養服務。**
5. 請自行攜同本產品及有關購買單據前往下列地址維修：  
地址： 香港火炭坳背灣街 26-28 號富騰工業中心 1614 室  
服務熱線 Service Hotline： (852) 2341 2381  
電郵查詢 Email enquiry： [ask@masswinning.com](mailto:ask@masswinning.com)  
服務時間：星期一至五: 10:00-13:00, 14:00-17:00; 星期六、星期日及公眾假期: 休息
6. 為避免電路負荷過重，造成火警危險，每一個供電插座上只可插上一個萬能蘇或一個拖板。(避免在同一插座上有其他電器的插頭插置。) 拖板上不應插上任何萬能蘇，而在萬能蘇上亦不應插上任何拖板。
7. 如發現萬能蘇或拖板或插座的插孔有鬆動現象，不能穩固插頭，或發現插腳難以插入插孔，則不應使用。
8. 避免使用萬能插座及延長電源線；如使用切勿與其他電器共用同一插座，以免導致本產品機件損壞。
9. 此產品只作一般家庭用途。
10. 保養服務只於香港和澳門指定商戶銷售的原裝格力小家電行貨。

### 環境保護

本產品使用壽命結束時請勿與一般家庭廢棄物一併丟棄。請將該產品放置於政府指定的回收站。此舉能為環保盡一份心力。



### 重要資訊

儘管本公司或其他生產商受知會，在任何情況下本公司或其生產商將不須就任何聲明、承諾及保證的索償而負責及不會向客戶或協力廠商承擔任何因使用或未能使用此產品所帶來直接的、非直接的、非專業的、特殊的、偶然的、間接的、有代表性的或其他任何損傷的責任(包括但不限於身體的損傷、財產的損失、公司盈利的損失、公司運作受中斷)。在任何情況下本公司或其生產商所承擔之責任將不會超過此產品之購買金額。

產品如有任何技術規格更改不作另行通知。



# 12" WALL FAN

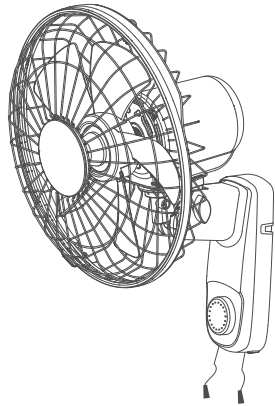
## ***Instruction Manual***

FB-3005

Thank you for choosing our product. Please read this Owner's Manual carefully before operation and retain it for future reference.

本說明書提供的圖可能與實物不盡相同，請以實物為準。  
本產品如有更改，恕不另行通知！

Thank you for choosing our product.  
Wish you have a good operation.



## Content

### Safety Notices

Safety Notices 2

### Product Information

Parts' Name 3

Main Technical Parameters 3

### Installation and Operation

Installation Method 4

Operation Instruction 5

### Maintenance

Maintenance and Protection 6

Warranty 7

**Please follow this instruction manual strictly for correct operation. In order to prevent personal injury and property loss, please follow those safety regulations as below.**

**If you don't follow these safety regulations, wrong operation may cause accident.**

## Prohibition

1. This appliance is not intended for use by persons (including children) with reduced physical, sensory or mental capabilities or lack of experience and knowledge, unless they have been given supervision or instruction concerning use of the appliance by a person responsible for their safety. Children should be supervised to ensure that they do not play with the appliance.

---

2. Do not operate the unit close to the curtain. Do not hang foreign objects on the grille to prevent damaging the balance of the fan or rotational structure.

---

3. Do not put or install the fan on the oblique plane to prevent inclination or other abnormal phenomenon.

---

4. Prohibit operating the fan under humid, high-temperature, dusty environment or the place where acid or alkali is stored. Do not operate the unit close to fire source or inflammable objects.

---

5. When the unit is not operated during maintenance period, please cut off the power and then unplug the power plug.  
⊗Do not pull the power plug with wet hand.

## Follow

1. If the electric cord is damaged, it must be replaced by technicians appointed by authorized maintenance center or manufacturers.

---

2. During installation process, do not put through the power; Before moving the fan, please cut off the power.

---

3. During the operation process, do not insert your fingers or sharp objects into grille to prevent personal injury or damage to the fan.

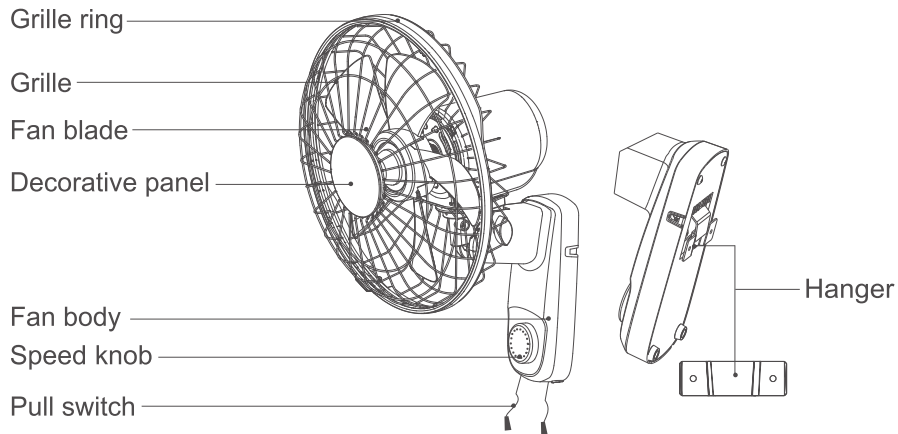
---

4. The infant, the elder and the patient should not use the wind for a long time.

---

5. This product is only for household use.

### Parts' Name



### Main Technical Parameters

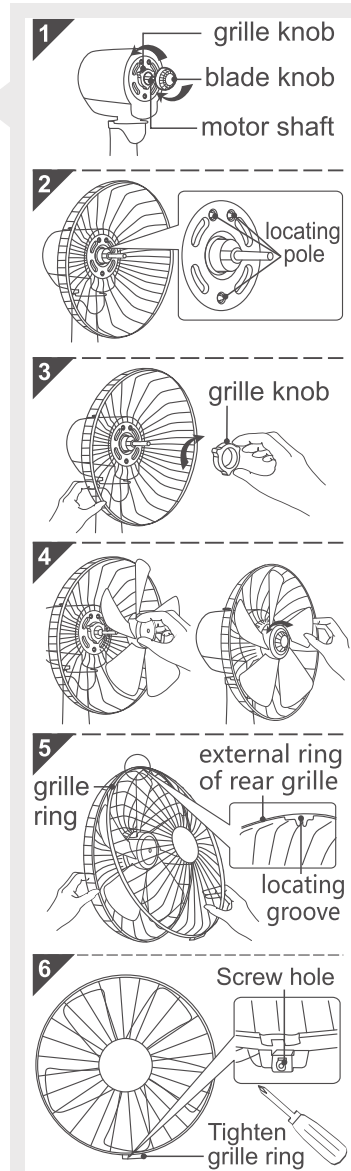
Note: Should the parameters below be changed, please refer to the actual product.

Model	FB-3005
Rated voltage	220V~
Rated frequency	50Hz
Rated power	50W

### Installation Method

**Caution: During installation, prohibit inserting the power plug into the power socket.**

- Fix the motor shaft with one hand, and rotate out the blade knob in clockwise direction with the other hand; After that, rotate the grille knob in an anti-clockwise direction.(See fig.1)
- Aim the hole on the rear grille at the locating pole of the motor cover, push it backwards to make sure the locating pole comes out of the hole. (See fig.2)
- Hold the rear grille with one hand, and rotate the grille knob into the motor cover in clockwise direction with the other hand to make rear grille to be fixed on the motor cover. (See fig.3)
- Aim the blade shaft hole at the motor shaft, align the shaft pin and buckle it properly. Hold the blade with hand, and then rotate the blade knob into the motor shaft in an anti-clockwise direction until it's tightened.(See fig.4)
- Twist the screws on the grille ring, leave certain angle between the front grille and the rear grille, then hang the locating groove on upper grille ring to the external ring of rear grille (note: put straight the front grille during installation), and cover the front grille on the rear grille with both hands.(See fig.5)
- Lock the latch and tighten the latch with screws which are removed previously. (See fig.6)
- Fix the mounting-plate on the wall with the 3 equipped specialized screws (the fan is to be installed so that the blades are more than 2.3 m above the floor), then hang the complete fan installed with blade and grilles on the hooker.
- Insert the power plug into the charged socket, and then the fan can operate.

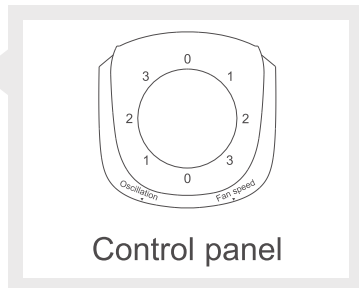




## Operation Instruction

### Speed adjustment

- Put through the power to start up the fan and adjust the fan speed;
- Pull the speed string to rotate the speed knob to “3” and then the fan will operate at high speed;
- Pull the speed string to rotate the speed knob to “2” and then the fan will operate at middle speed;
- Pull the speed string to rotate the speed knob to “1” and then the fan will operate at low speed;
- Pull the speed string to rotate the speed knob to “0”, and then the fan stops operation.



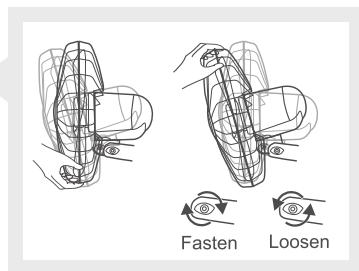
Control panel

### Oscillation

- Pull the oscillation string, and then the fan will oscillate. If you pull the oscillation string again, horizontal oscillation will stop. You can pull the string again to make it oscillating.

### Fan head tilt angle

- Loosen the screw in the pitch adjustment knob. After adjusting the pitch angle to appropriate location, tighten the screw in the pitch adjustment knob.



## Maintenance and Protection

1. During maintenance, prohibit inserting the power plug into the power socket.
2. During maintenance, use a soft dry cloth to wipe out the dust on the fan.
3. Do not use hard object to wipe the fan or wipe the fan forcibly to prevent scratch.
4. During maintenance, do not use thinner, alcohol, alkaline detergent, cleaner or propellant to prevent discolor or corrosion.
5. After maintenance, please check whether all parts are installed well before operation.

## Warranty

1. The product has 2 year warranty from the date of purchase.
2. Register through [www.masswinning.com](http://www.masswinning.com) to get warranty service.
3. The warranty shall not apply:
  - A. To any Product subjected to accident, misuse, neglect, alteration, Acts of- God, improper handling, improper transport, improper use, improper testing or unauthorized repair;
  - B. To cosmetic problems or defects which result from normal wear and tear under ordinary use, and do not affect the performance or use of the product. All warranties are void if the product is opened, altered, and/or damaged;
  - C. To any packing, transportation, export / import tax or any related expenses.
4. **CUSTOMER MUST PRESENT THE SALES INVOICE OR RECEIPT FOR 2 YEAR WARRANTY SERVICES.**
5. Please bring along the product and sales invoice or receipt to our services center for warranty services during office hour as below:

Address: Unit 1614, Fo Tan Industrial Centre, 26-28, Au Pui Wan Street, Fo Tan, Shatin, New Territories, Hong Kong

Service Hotline: (852) 2341 2381

Email enquiry : [ask@masswinning.com](mailto:ask@masswinning.com)

Service Hours : 10:00-13:00, 14:00-17:00; Mon – Fri;  
Sat, Sun & Public Holiday: Closed
6. To prevent circuit overload and fire, no more than one adaptor or one extension unit should be inserted into a socket outlet. (Do not connect other appliances to the socket outlet supplying an electric heater.) No adaptor should be inserted into any extension unit or vice versa.
7. Stop using an adaptor or extension unit or socket if its socket holes cannot firmly hold a plug or if it is too hard to insert a plug into it.
8. Please make sure the plug is fully plugged-in before use. Do not use any adapter or extension cord; Never use the same supply socket for this appliance and other appliances at the same time, in order to avoid damage to this appliance.
9. THE APPLIANCE IS FOR HOUSEHOLD USE ONLY.
10. This warranty is valid only for original GREE small home appliances sold by authorized dealers in Hong Kong and Macau.

### **ENVIRONMENT**

Do not throw away the appliance with the normal household waste at the end of its life, but hand it in at an official collection point for recycling. By doing this, you help preserving the environment.



### **IMPORTANT NOTICES**

IN NO EVENT SHALL OUR COMPANY OR THE SUPPLIER BE LIABLE TO YOU OR ANY OTHER PARTY FOR ANY DIRECT, INDIRECT, GENERAL SPECIAL, INCIDENTAL, CONSEQUENTIAL, EXEMPLARY OR OTHER DAMAGES ARISING OUT OF THE USE OR INABILITY TO USE THE PRODUCT (INCLUDING, WITHOUT LIMITATION, DAMAGES FOR INJURY, LOSS OF PROPERTY, BUSINESS PROFITS, BUSINESS INTERRUPTION) OR FROM ANY BREACH OF WARRANTY, EVEN IF OUR COMPANY OR SUPPLIER HAS BEEN ADVISED OF THE POSSIBILITY OF SUCH DAMAGES. IN NO CASE SHALL OUR COMPANY OR SUPPLIER'S LIABILITY EXCEED THE AMOUNT YOU PAID FOR THE PRODUCT.

*Specifications, designs and dimensions are subject to change without prior notice.*