



14"座地風扇  
使用說明書  
FD-3515

為正確使用本產品，請在使用前仔細閱讀本說明書，  
並請妥善保存以供今後參考。

說明書如有遺失，可通過下列途徑獲取：

- 1) 直接聯繫當地經銷商；
- 2) 售後熱線(852)2341 2381;
- 3) 發郵件到ask@masswinning.com索取電子版說明書。



173309900945

本說明書的圖示僅供參考，產品請以實物為準。

衷心感謝您購買本公司的產品，  
希望您使用愉快！

## 目錄

安全注意事項 .....	2
產品說明 .....	3
規格參數 .....	5
安裝方法 .....	6
維護保養 .....	9
免責條款 .....	11

請嚴格按照本說明書要求正確使用本產品。

為避免造成人員傷害及財產損失，列出了以下安全規範，請務必執行。

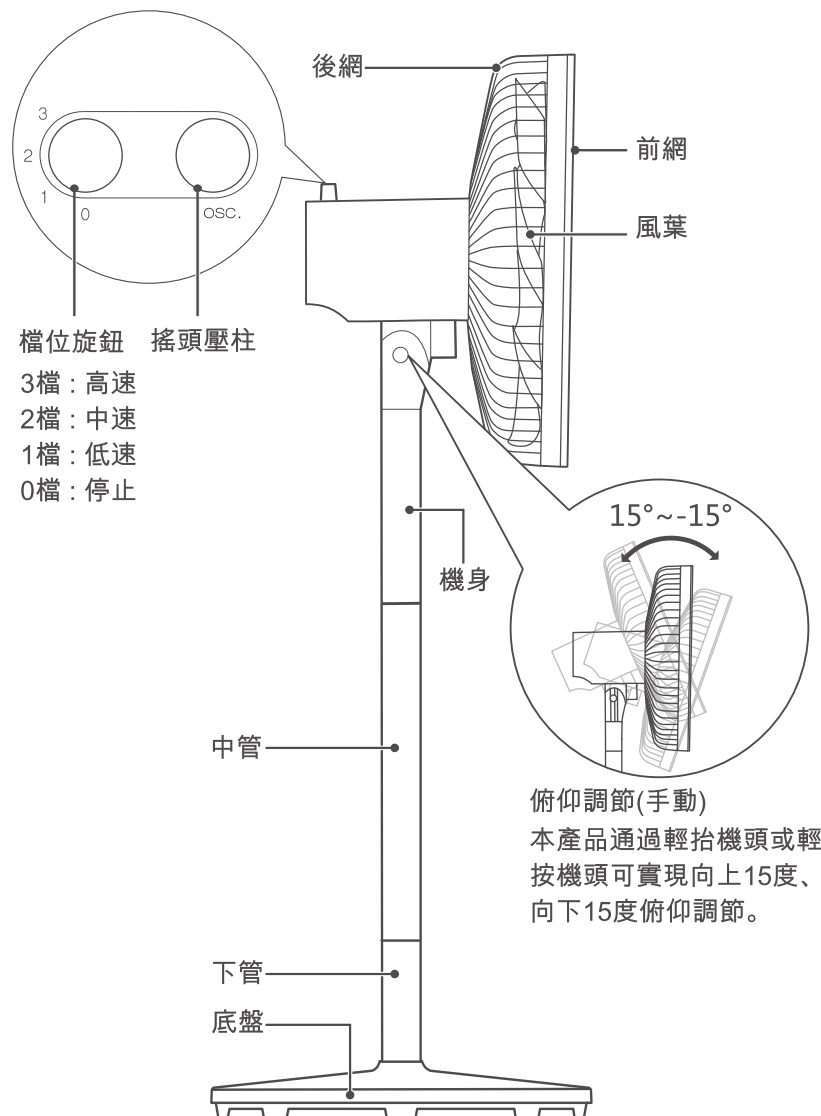
不執行安全規範而錯誤使用時可能導致事故發生。

### 禁止事項

- 器具不打算由存在肢體、感官或精神能力缺陷或缺少使用經驗和知識的人(包括兒童)使用，除非有負責他們安全的人對他們進行與器具使用有關的監督或指導。應照看好兒童，確保他們不玩耍本器具。
- 請勿在靠近窗簾的位置使用；不要在網罩上懸掛外物，以免破壞風扇平衡及轉動機構。
- 請勿將風扇放置或安裝到斜面，避免傾倒或其它異常。
- 禁止在潮濕、高溫、多塵或儲存酸城處使用，避開火源或易燃物。
- 在不使用或維護保養時必須切斷電源並拔下電源插頭。  
※不可用濕手插、拔電源插頭。

### 遵守事項

- 如果電源軟線損壞，為了避免危險，必須由製造商、其維修部或類似部門的專業人員更換。
- 風扇運轉期間，切勿把手指、尖物插入網罩內，以免造成人身傷害或破壞風扇。
- 本產品只適用於家庭使用。
- 嬰兒、老人、病人請勿長時間吹風。
- 安裝過程中請勿接通電源，移動、清潔、保養產品時請切斷電源。



備註：圖示僅供參考，產品請以實物為準。

### 調速

- 接通電源後，可使風扇啟動和調速；
- 檔位旋鈕旋至“3”，風扇處於高速運轉；
- 檔位旋鈕旋至“2”，風扇處於中速運轉；
- 檔位旋鈕旋至“1”，風扇處於低速運轉；
- 檔位旋鈕旋至“0”，風扇停止運轉。

### 搖頭

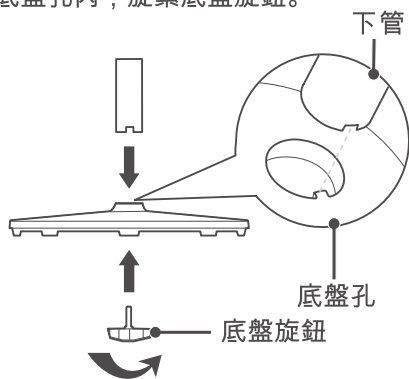
- 開啟或關閉風扇水準搖頭功能，請按下或拉起搖頭壓柱。

產品型號	FD-3515
額定電壓	220V~
額定頻率	50Hz
額定輸入功率	50W
噪音	≤63dB(A)

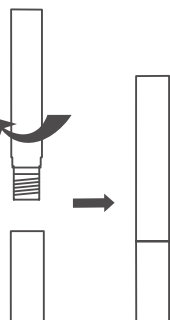
注:具體參數請以產品為準。

注意：安裝風扇時，禁止將電源線插頭插在電源插座裡。

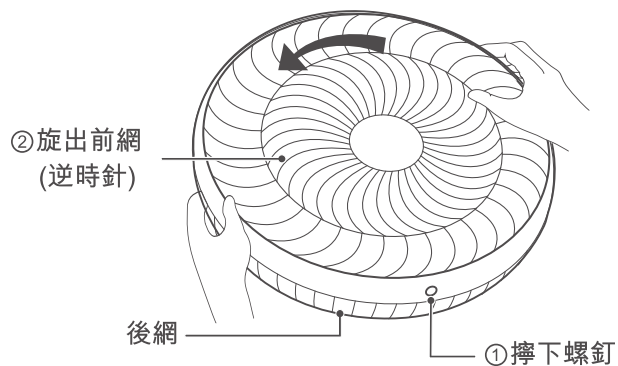
**第一步** 將下管插入底盤孔內，旋緊底盤旋鈕。



**第二步** 將機身、中管、下管旋緊到位即可。

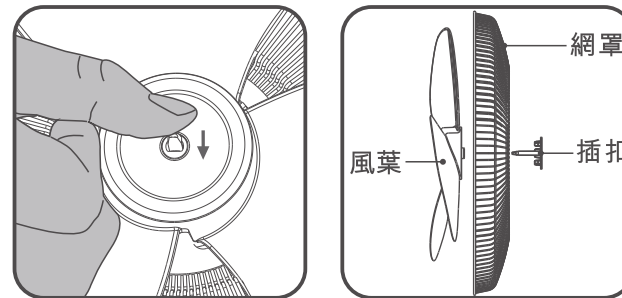


**第三步** 擰下螺釘，逆時針旋轉旋出前網，取出前網和風葉。



■ 風葉拆卸(僅適用於有風葉插扣的機型。)

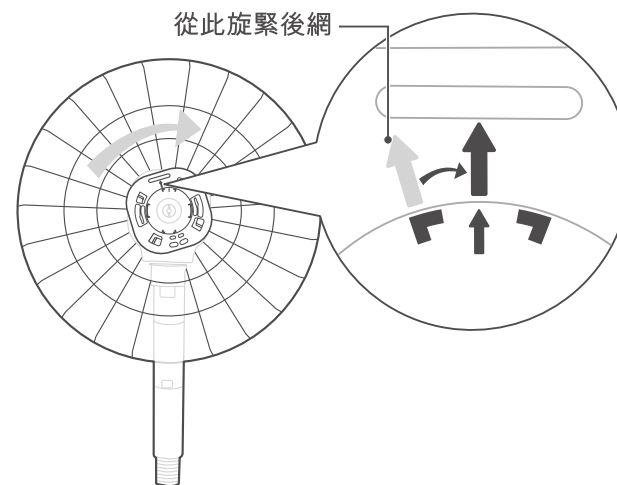
※用手按住插扣斜面位置(如下圖指示位置)，用力往裡推，插扣松脫後，將風葉和插扣分離後取出。



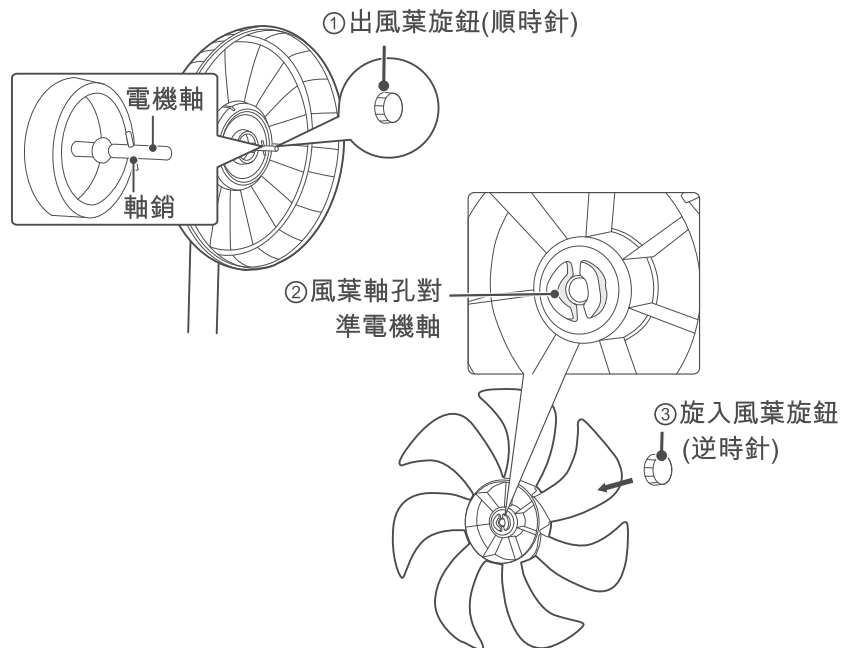
■ 溫馨提示

※風葉插扣為用於固定風葉的包裝件，非產品部件。拆卸後可保留用於後續收納用。

**第四步** 將機頭前蓋卡扣和後網箭頭標識對齊，順時針旋轉後網，使後網箭頭與機頭前蓋箭頭標識對齊。

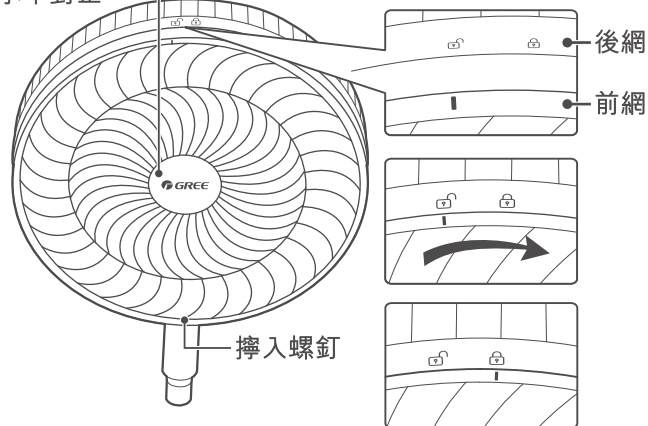


**第五步** 托住電機軸，順時針旋轉取出風葉旋鈕；將風葉軸孔對準電機軸，保持電機軸銷與風葉卡槽卡到位；握住風葉，將風葉旋鈕逆時針方向旋入電機軸上，直至旋緊。



**第六步** 將前網對位元標識對準後網開鎖標識，確保前後網扣合到位；順時針旋轉前網，將前網對位元標識對準後網鎖緊標識，然後將之前拆下的螺釘擰入螺釘孔內，緊固前後網。

保持前網商標水準對正



## 清潔保養

為防止對器具的傷害，清洗前請先拔下電源插頭，在產品完全冷卻後才能開始清潔和保養。應使用軟布和中性洗滌劑擰乾後擦拭風扇。請勿使用任何會損壞產品表面的研磨工具和溶劑。再次使用前須保證產品乾燥並安裝到位。

1. 請勿使用硬物或用力擦拭，以免刮花風扇表面。
2. 保養時，請用軟布浸溫水或廚房專用洗滌劑後擰乾擦拭風扇，然後用軟的幹布擦淨。
3. 清洗前請先拔下電源插頭，在產品完全冷卻後才能開始清洗和保養。所有零部件的清潔，請勿使用香蕉水、汽油、去污粉、硬質刷等。清洗完畢後，再次使用前請檢查可拆卸部件是否安裝到位。
4. 如產品配有遙控器或適配器，請妥善保管，不要摔跌。

### 保用期資料

1. 由購買日期計正常使用下提供兩年保用。
2. 保用不包括下列各項：
  - A. 產品錯誤使用、被更改、天災、因運輸拆卸不當、錯誤測試、不合格維修及錯誤使用。
  - B. 更換、修理、及翻新外殼、機身或不影響產品功能。
  - C. 產品的包裝、運輸費及出入口關稅或任何相關費用。
3. **請妥善保存產品購買發票/單據。必須出示產品購買發票/單據方可獲兩年保養服務。**
4. 請自行攜同本產品及有關購買單據前往下列地址維修：  
地址： 香港火炭坳背灣街37-39號峰達工業大廈602室  
服務熱線 Service Hotline： (852) 2341 2381  
電郵查詢 Email enquiry： ask@masswinning.com  
服務時間：星期一至五: 10:00-13:00, 14:00-17:00; 星期六、星期日及公眾假期: 休息
5. 為避免電路負荷過重，造成火警危險，每一個供電插座上只可插上一個萬能蘇或一個拖板。(避免在同一插座上有其他電器的插頭插置。) 拖板上不應插上任何萬能蘇，而在萬能蘇上亦不應插上任何拖板。
6. 如發現萬能蘇或拖板或插座的插孔有鬆動現象，不能穩固插頭，或發現插腳難以插入插孔，則不應使用。
7. 避免使用萬能插座及延長電源線；如使用切勿與其他電器共用同一插座，以免導致本產品機件損壞。
8. 此產品只作一般家庭用途。
9. 保養服務只於香港和澳門指定商戶銷售的原裝格力小家電行貨。

### 環境保護

本產品使用壽命結束時請勿與一般家庭廢棄物一併丟棄。請將該產品放置於政府指定的回收站。此舉能為環保盡一份心力。



### 重要資訊

儘管本公司或其他生產商受知會，在任何情況下本公司或其生產商將不須就任何聲明、承諾及保證的索償而負責及不會向客戶或協力廠商承擔任何因使用或未能使用此產品所帶來直接的、非直接的、非專業的、特殊的、偶然的、間接的、有代表性的或其他任何損傷的責任(包括但不限於身體的損傷、財產的損失、公司盈利的損失、公司運作受中斷)。在任何情況下本公司或其生產商所承擔之責任將不會超過此產品之購買金額。

*產品如有任何技術規格更改不作另行通知。*

### 免責條款

下列原因造成的人身、財產等損失，製造商概不負責：

1. 沒有正確使用產品或因疏忽或誤用造成產品損壞；
2. 沒有遵守製造商的書面說明，更改、改造、維修或與其他設備一起使用產品；
3. 經核實，產品缺陷是直接由腐蝕性氣體造成的；
4. 經核實，產品在運輸過程中因操作不當出現缺陷；
5. 未按使用說明書或相關規定進行操作、維護、保養造成機組損壞的；
6. 經核實，問題或爭議是由非製造商的零配件的品質、規格或性能發生的或造成的；
7. 因不可抗拒的自然災害或使用環境惡劣造成損壞的。



# 14" STAND FAN

## *Instruction Manual*

---

FD-3515

Thank you for choosing our product. Please read this Owner's Manual carefully before operation and retain it for future reference.

If you have lost the Owner's Manual, please contact the local agent or call (852)2341 2381 or send email to [ask@masswinning.com](mailto:ask@masswinning.com) for electronic version.



173309900945

The schematic diagram in the instruction manual is only for reference. Please refer to the actual product.



Thank you for choosing our product.  
Wish you have a good operation.

## Content

Safety Regulation .....	2
Operation Instruction .....	3
Main Technical Parameters .....	5
Installation methods .....	6
Maintenance .....	9
Exception Clauses .....	11

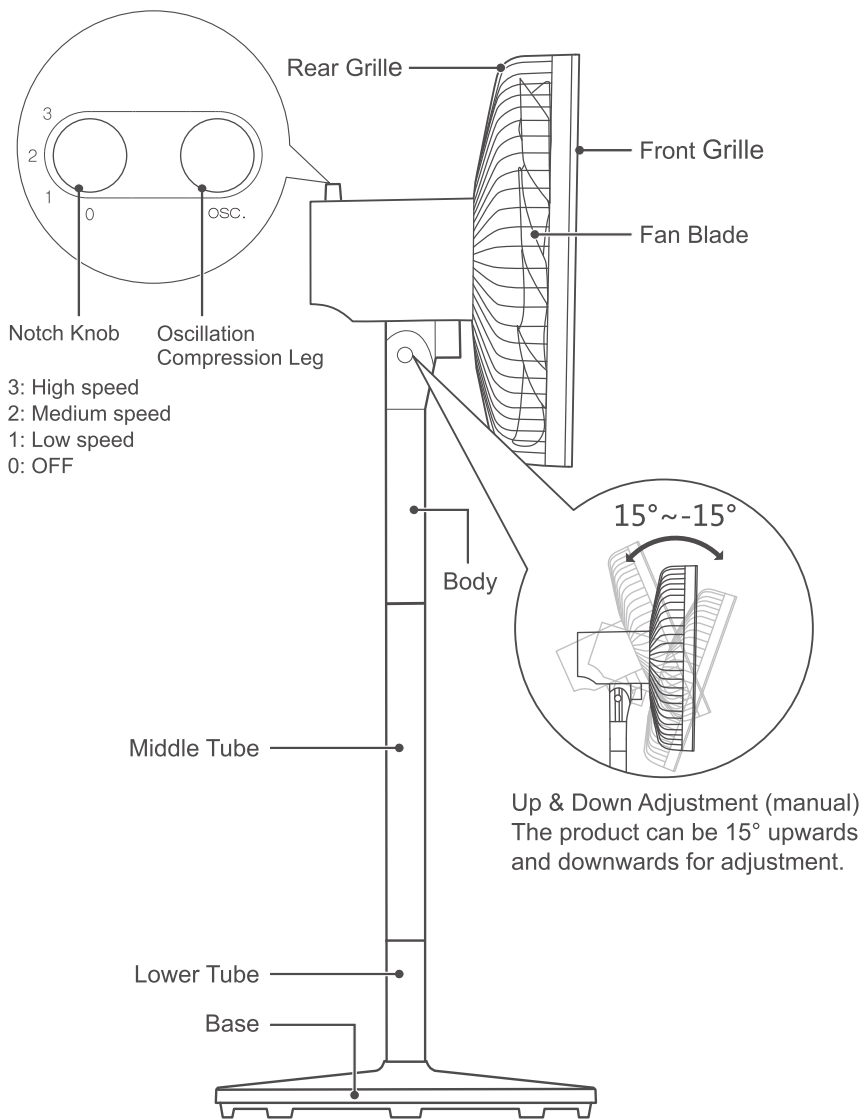
**Please follow this instruction manual strictly for correct operation. In order to prevent personal injury and property loss, please follow those safety regulations as below. If you don't follow these safety regulations, wrong operation may cause accident.**

## Prohibition

- This appliance is not intended for use by persons(including children)with reduced physical, sensory or mental capabilities or lack of experience and knowledge, unless they have been given supervision or instruction concerning use of the appliance by a person responsible for their safety. Children should be supervised to ensure that they do not play with the appliance.
  - Do not operate the unit close to the curtain. Do not hang foreign objects on the grille to prevent damaging the balance of the fan or rotational structure.
  - Do not put or install the fan on the oblique plane to prevent inclination or other abnormal phenomenon.
  - Prohibit operating the fan under humid, high-temperature, dusty environment or the place where acid or alkali is stored. Do not operate the unit close to fire source or inflammable objects.
  - When the unit is not operated during maintenance period, please cut off the power and then unplug the power plug.
- ※Do not pull the power plug with wet hand.

## Follow

- If the supply cord is damaged, it must be replaced by the manufacturer, its service agent or similarly qualified persons in order to avoid a hazard.
- During the operation process, do not insert your fingers or sharp objects into grille to prevent personal injury or damage to the fan.
- This product is only for household use.
- The infant, the elder and the patient should not blow the wind for a long time.
- Do not connect the power during installation. When moving, cleaning and maintaining the product, please cut off the power.



Remark: The diagram is only for reference. Please refer to the actual product.

### Speed adjustment

- After connecting to power, the fan can be turned on and speed can be adjusted.
- Rotate the knob to "3", the fan operates in high speed;
- Rotate the knob to "2", the fan operates in medium speed;
- Rotate the knob to "1", the fan operates in low speed;
- Rotate the knob to "0", the fan stops operation.

### OSC.

- Please press or pull the oscillation compression leg to turn on/off the oscillation function of the fan.

## Main Technical Parameters

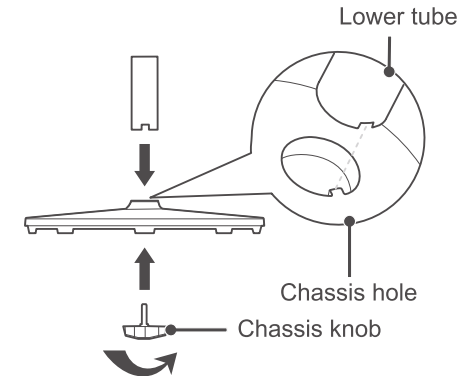
Model	FD-3515
Rated Voltage	220V~
Rated Frequency	50Hz
Rated Power Input	50W
Noise	≤63dB(A)

Notice: Please refer to the product for the detailed parameters.

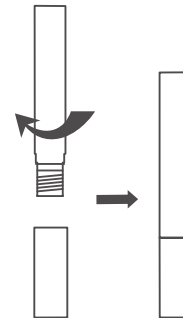
## Installation methods

**Caution: During installation, prohibit inserting the power plug into the power socket.**

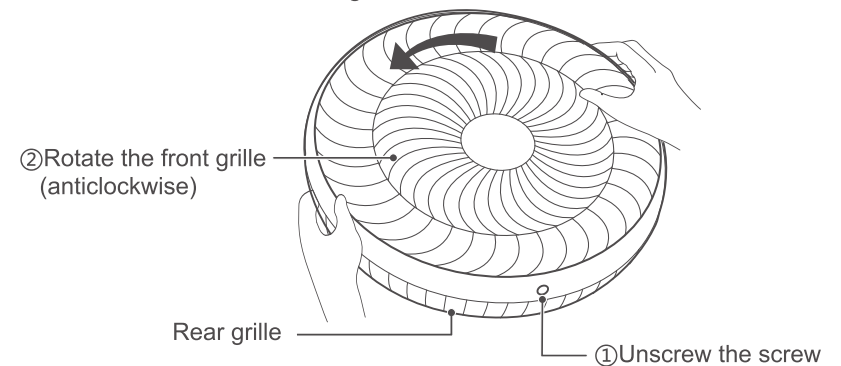
**Step 1** Insert the lower tube to the chassis hole and rotate the knob on the chassis.



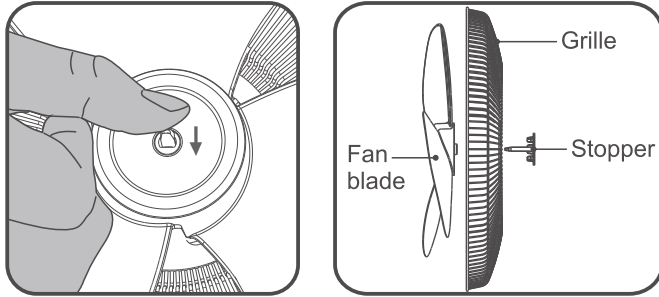
**Step 2** Rotate the body, middle tube and lower tube tightly.



**Step 3** Unscrew the screw, rotate the front grille in anticlockwise direction and take out the front grille and fan blade.



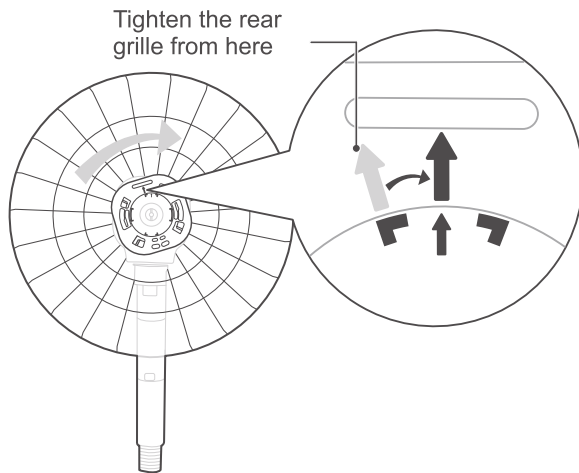
- Dismantle the fan blade (Only applicable for the models with blade stopper)
- ※ Press the slope surface of stopper (as shown below), press it inward, when the stopper is loose, separate the fan blade and stopper and remove them.



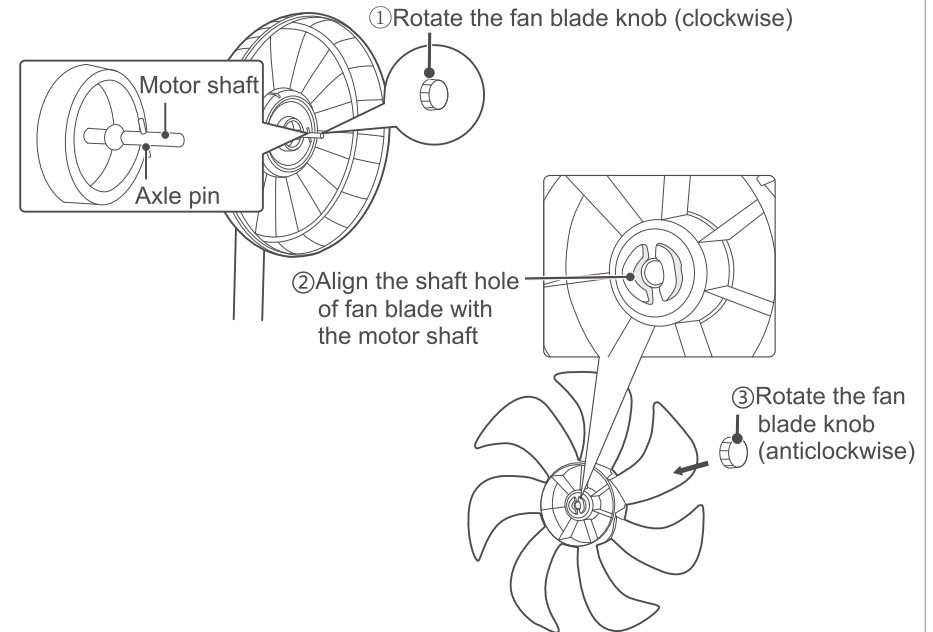
### Note

- ※ Blade stopper is the packaging part for fixing the fan blade, which is not the component of product. After disassembly, please keep it well for later use.

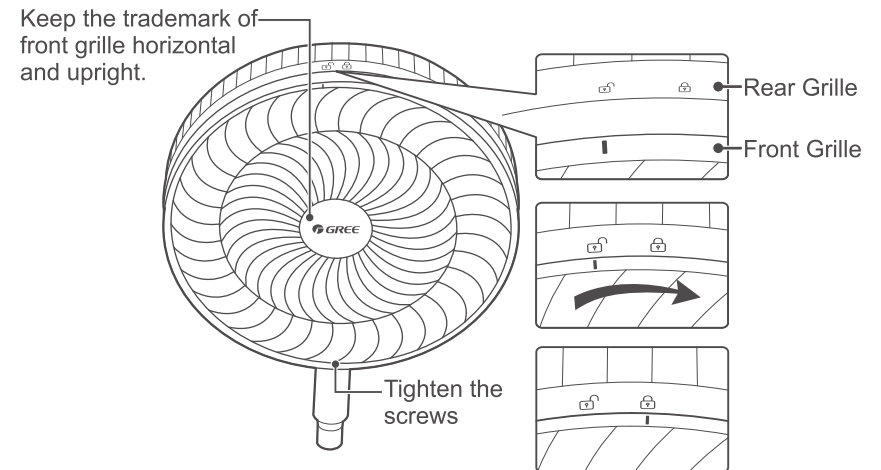
- Step 4** Align the clasp in the front cover with the arrow mark in the rear grille, rotate the rear grille in clockwise to align the arrow in the rear grille with the arrow mark in the front cover.



- Step 5** Hold the motor shaft, take out the fan blade knob in clockwise; align the shaft hole of fan blade with the motor shaft and ensure that the motor axle pin and the fan blade groove is clasped properly; hold the fan blade, rotate the fan blade knob to the motor shaft in anticlockwise direction until it is tight.



- Step 6** Align the locating mark of front grille with the unlocking mark of rear grille, please ensure the front grille and rear grille is properly buckled; rotate the front grille in clockwise, align the locating mark of front grille with the locking mark of rear grille, then tighten the screws dismantled before inside the screw hole and fasten the front grille and rear grille.



## Clean and Maintenance

To prevent the damages to the appliance, please remove the power plug before cleaning. Clean and maintenance shall be conducted after the product is completely cool. Please use twisted soft cloth with neutral detergent to wipe the fan. Don't use any grinding tool and solvent which will damage the surface of the product. Before using the product again, please ensure it is dry and properly installed.

1. Do not use hard object to wipe the fan or wipe the fan forcibly to prevent scratch.
2. During maintenance, please dip the soft cloth into warm water or special abluent for kitchen, twist off the cloth to wipe the fan, and then use a soft dry cloth the wipe it.
3. Before cleaning, remove the power plug first. Do not start cleaning and maintenance until the product is completely cooled down. Do not use thinner, alcohol, cleaning powder or hard brush to clean the components. After cleaning, please check whether all parts are installed in place before operation.
4. If the product is supplied with remote controller or power adapter, please keep them well and don't drop them.

## Warranty

1. The product has 2 year warranty from the date of purchase.
2. The warranty shall not apply:
  - A. To any Product subjected to accident, misuse, neglect, alteration, Acts of- God, improper handling, improper transport, improper use, improper testing or unauthorized repair;
  - B. To cosmetic problems or defects which result from normal wear and tear under ordinary use, and do not affect the performance or use of the product. All warranties are void if the product is opened, altered, and/or damaged;
  - C. To any packing, transportation, export / import tax or any related expenses.
3. **CUSTOMER MUST PRESENT THE SALES INVOICE OR RECEIPT FOR 2 YEAR WARRANTY SERVICES.**
4. Please bring along the product and sales invoice or receipt to our services center for warranty services during office hour as below:
 

Address: Unit 602, Fonda Industrial Building, 37-39, Au Pui Wan Street, Fo Tan, Shatin, New Territories, Hong Kong

Service Hotline: (852) 2341 2381

Email enquiry : ask@masswinning.com

Service Hours : 10:00-13:00, 14:00-17:00; Mon – Fri;  
Sat, Sun & Public Holiday: Closed
5. To prevent circuit overload and fire, no more than one adaptor or one extension unit should be inserted into a socket outlet. (Do not connect other appliances to the socket outlet supplying an electric heater.) No adaptor should be inserted into any extension unit or vice versa.
6. Stop using an adaptor or extension unit or socket if its socket holes cannot firmly hold a plug or if it is too hard to insert a plug into it.
7. Please make sure the plug is fully plugged-in before use. Do not use any adapter or extension cord; Never use the same supply socket for this appliance and other appliances at the same time, in order to avoid damage to this appliance.
8. THE APPLIANCE IS FOR HOUSEHOLD USE ONLY.
9. This warranty is valid only for original GREE small home appliances sold by authorized dealers in Hong Kong and Macau.

### ENVIRONMENT

Do not throw away the appliance with the normal household waste at the end of its life, but hand it in at an official collection point for recycling. By doing this, you help preserving the environment.



### IMPORTANT NOTICES

IN NO EVENT SHALL OUR COMPANY OR THE SUPPLIER BE LIABLE TO YOU OR ANY OTHER PARTY FOR ANY DIRECT, INDIRECT, GENERAL SPECIAL, INCIDENTAL, CONSEQUENTIAL, EXEMPLARY OR OTHER DAMAGES ARISING OUT OF THE USE OR INABILITY TO USE THE PRODUCT (INCLUDING, WITHOUT LIMITATION, DAMAGES FOR INJURY, LOSS OF PROPERTY, BUSINESS PROFITS, BUSINESS INTERRUPTION) OR FROM ANY BREACH OF WARRANTY, EVEN IF OUR COMPANY OR SUPPLIER HAS BEEN ADVISED OF THE POSSIBILITY OF SUCH DAMAGES. IN NO CASE SHALL OUR COMPANY OR SUPPLIER'S LIABILITY EXCEED THE AMOUNT YOU PAID FOR THE PRODUCT.

*Specifications, designs and dimensions are subject to change without prior notice.*

**Manufacturer will bear no responsibilities when personal injury or property loss is caused by the following reasons :**

1. Damage the product due to improper use or misuse of the product;
2. Alter, change, maintain or use the product with other equipment without abiding by the instruction manual of manufacturer;
3. After verification, the defect of product is directly caused by corrosive gas;
4. After verification, defects are due to improper operation during transportation of product;
5. Operate, repair, maintain the unit without abiding by instruction manual or related regulations;
6. After verification, the problem or dispute is caused by the quality specification or performance of parts and components that produced by other manufacturers;
7. The damage is caused by natural calamities, bad using environment or force majeure.