



16" 座地風扇
使用說明書
FD-4035bh5

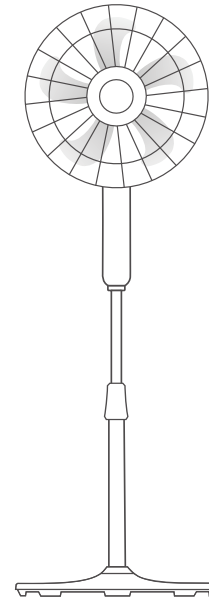
為正確使用本產品，請在使用前仔細閱讀本說明書，並請妥善保存以供今後參考。



173309900377

The product is subject to change without notice.
The pictures in this instruction manual may be different
from the actual product. Please refer to the actual product.

衷心感謝您購買本公司的產品，
希望您使用愉快！



目錄

安全注意事項

安全注意事項 2

產品說明

部件名稱 3

產品功能 4

規格參數 4

產品安裝及使用

安裝方法 5

操作說明 8

維護保養

清潔保養 9

保用期資料 10

請嚴格按照本說明書要求正確使用本產品。

為避免造成人員傷害及財產損失，列出了以下安全注意事項，請務必執行。

不執行安全注意事項而錯誤使用時可能導致事故發生。

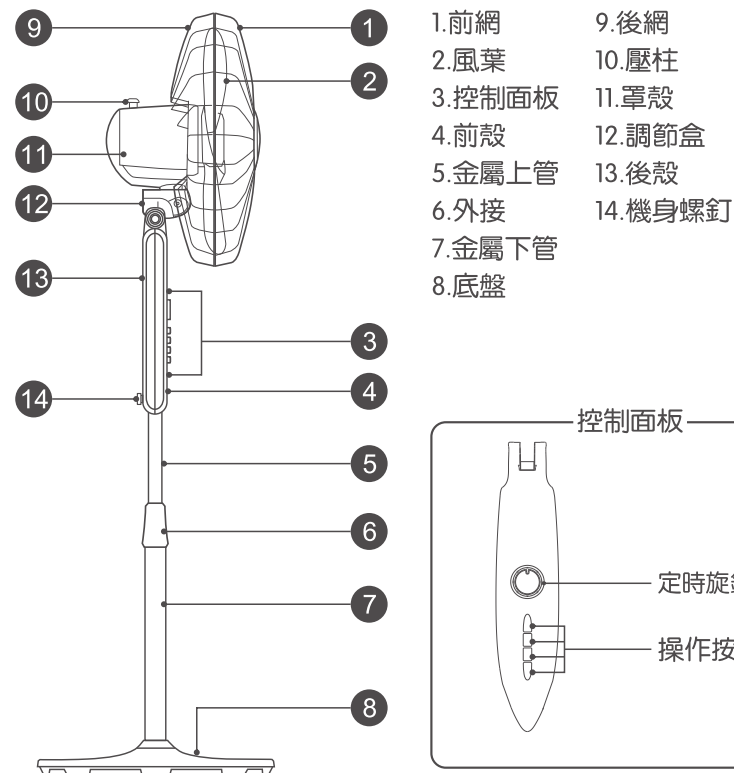
禁止事項

- 器具不打算由存在肢體、感官或精神能力缺陷或缺少使用經驗和知識的人(包括兒童)使用，除非有負責他們安全的人對他們進行與器具使用有關的監督或指導。應照看好兒童，確保他們不玩耍本器具。
- 請勿在靠近窗簾的位置使用；不要在網罩上懸掛外物，以免破壞風扇平衡及轉動結構。
- 請勿將風扇放置或安裝到斜面，避免傾倒或其它異常。
- 禁止在潮濕、高溫、多塵或儲存酸鹼處使用，避開火源或易燃物。
- 在不使用或維護保養時必須切斷電源並拔下電源插頭。
※不可用濕手插、拔電源插頭。

遵守事項

- 如果電源軟綫損壞，為了避免危險，必須由制造商、其維修部或類似部門的專業人員更換。
- 安裝過程中，請勿接通電源；移動風扇時，請切斷電源。
- 風扇運轉期間，切勿把手指、尖物插入網罩內，以免造成人身傷害或破壞風扇。
- 嬰兒、老人、病人請勿長時間吹風。
- 本產品祇適用於家庭使用。

部件名稱



備注：1.圖形僅供參考，請以實物為準；

2.若產品結構圖發生變化，恕不另行通知，請以實物為準。

產品功能

| 功能 型號 | 定時 | 調速 | 高度調節 (手動) | 俯仰角調節 (手動) | 控制方式 |
|------------|-------|---------------|--------------|---------------|------|
| FD-4035bh5 | 120分鐘 | 強、中、弱 三檔可調 | 可調 | 可調 | 機械控制 |

規格參數

| | |
|------|------------|
| 產品型號 | FD-4035bh5 |
| 額定電壓 | 220V~ |
| 額定頻率 | 50Hz |
| 額定功率 | 60W |

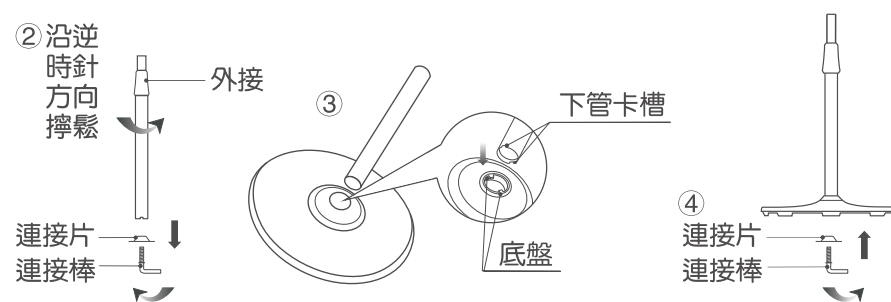
備注：上述參數若有更改，請以產品為準。

安裝方法

注意：安裝風扇時，禁止將電源綫插頭插在電源插座裏。

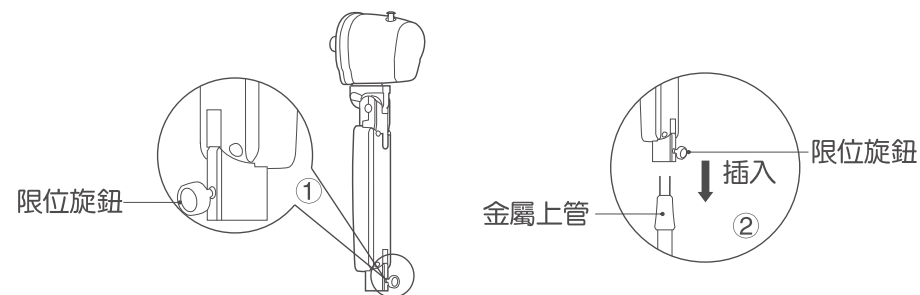
1 底盤安裝

- ①將風扇組件從包裝箱內取出。
- ②將連接片和連接棒扭出。
- ③將下管卡槽對準底盤，然後將金屬管組件插入底盤孔內。
- ④用連接棒將金屬下管組件、底盤、連接片緊固連接在一起，將機身豎立放置。



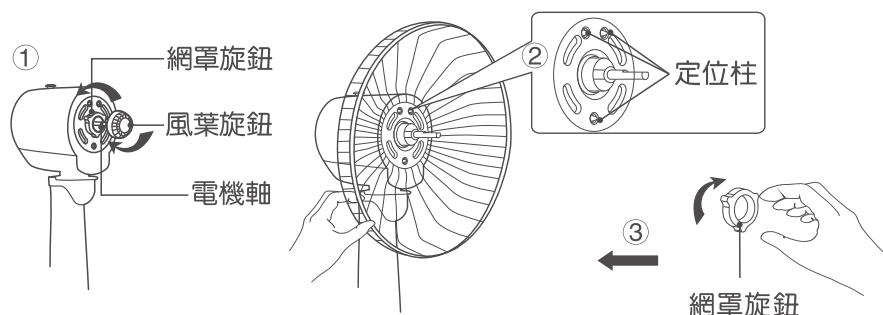
2 機身安裝

- ①將機身上的限位旋鈕鬆開少許(注意不得使螺釘與螺母鬆脫)。
- ②然後將機身下部插入金屬上管，接着將限位旋鈕扭緊。



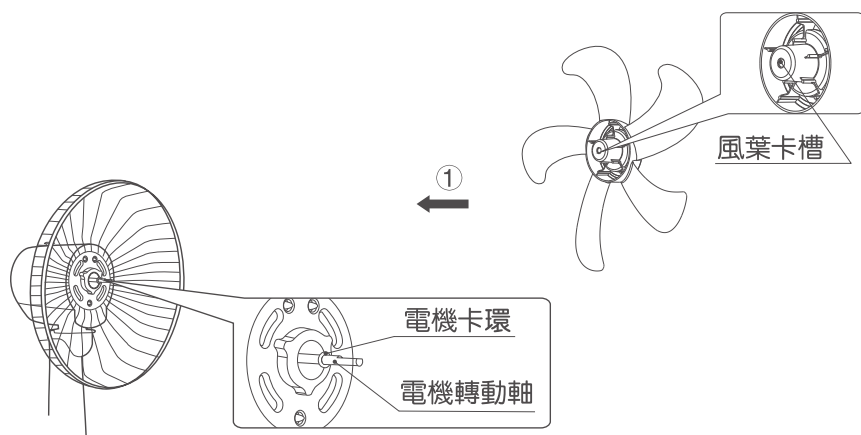
3 後網安裝

- ①一手固定電機軸，另一手順時針旋出風葉旋鈕；之後逆時針旋出網罩旋鈕。
- ②把後網上的孔對準電機前蓋上三個定位柱，往後推，確保三個定位柱突出孔。一手托住後網，另一手將網罩旋鈕沿順時針方向旋入電機端蓋上，使其將後網緊固地裝在電機端蓋上。

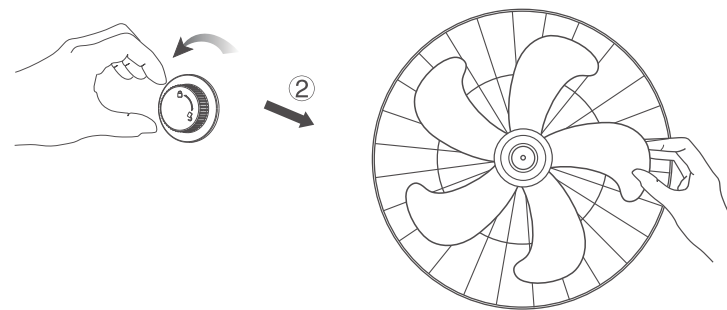


4 風葉安裝

- ①將風葉定位孔插入電機轉動軸上，同時確保風葉卡槽對準電機轉動軸上的軸鞘然後用力推，保證電機軸鞘卡入風葉卡槽內且到位。

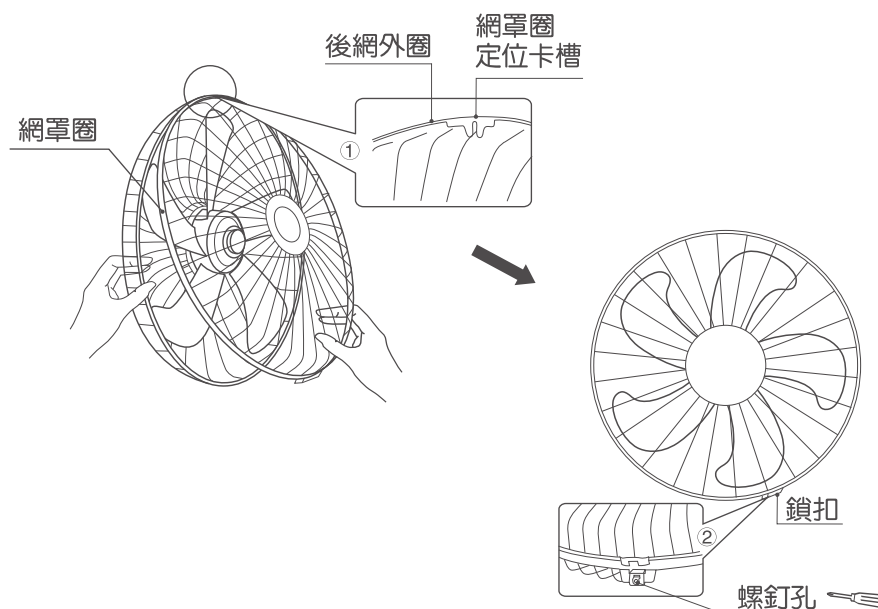


- ②用手握住風葉，將風葉旋鈕沿逆時針方向旋入電機轉動軸上，直至鎖緊。



5 前網安裝

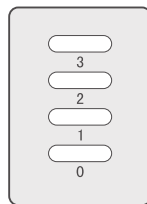
- ①將前網與後網呈一定夾角，然後將網罩圈上端的定位卡槽掛於後網外圈上 (注意：安裝時使前網的兩個卡槽保持豎直狀態；並使網罩圈上的鎖扣位於下方)，雙手同時用力將前網套於後網上，鎖上鎖扣。
- ②將網罩圈下部螺絲鎖緊，使網罩圈與前後網固定牢靠。



操作說明

調速

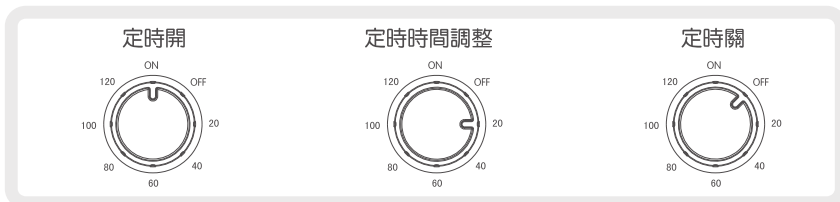
- 接通電源後，可使風扇啟動和調速；
- 按下操作按鍵“3”，風扇處於高速運轉；
- 按下操作按鍵“2”，風扇處於中速運轉；
- 按下操作按鍵“1”，風扇處於低速運轉；
- 按下操作按鍵“0”，風扇停止運轉。



操作按鍵

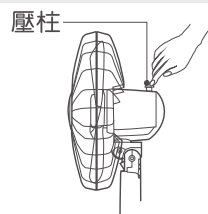
定時

- 要使風扇運轉，須首先旋轉定時旋鈕接通定時器(保證不在“關”的位置)。
- 要使風扇長時間運轉，旋轉定時旋鈕對準“開”。
- 要使風扇按照所需時間運轉，祇需旋轉定時旋鈕對準所需時間即可。
- 要關閉風扇，可把定時旋鈕擰至“關”或按調速開關上“0”鍵。



搖頭

- 要使風扇水平搖頭或停止，請按下或拉起壓柱。

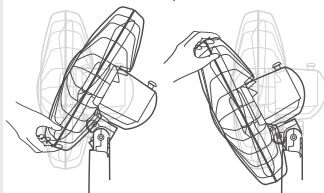


俯仰送風

- 要使風扇向上或向下俯仰送風，請輕抬或輕按網罩(如圖所示)。

高度調節

- 將上管旋鈕沿逆時針方向擰鬆，然後將上管從下管裏抽出合適長度，順時針方向旋緊。



清潔保養

1. 清潔保養時，禁止將電源綫插頭插在電源插座裏。
2. 保養時，請用軟布浸溫水或廚房專用洗潔劑後擰乾擦拭風扇，然後用軟的乾布擦淨。
3. 請勿使用硬物或用力擦拭，以免刮花風扇表面。
4. 保養時，請勿使用香蕉水、酒精、鹼性洗潔精、去污粉、揮發劑等，以防止風扇變色及腐蝕。
5. 保養後，再次使用前請檢查所有部件是否安裝到位。

保用期資料

1. 由購買日期計正常使用下提供兩年保用。
2. 客戶請 網上 www.masswinning.com 登記。
3. 保用不包括下列各項：
 - A. 產品錯誤使用、被更改、天災、因運輸拆卸不當、錯誤測試、不合格維修及錯誤使用。
 - B. 更換、修理、及翻新外殼、機身或不影響產品功能。
 - C. 產品的包裝、運輸費及出入口關稅或任何相關費用。
4. **請妥善保存產品購買發票/單據。必須出示產品購買發票/單據方可獲兩年保養服務。**
5. 請自行攜同本產品及有關購買單據前往下列地址維修：
地址： 香港火炭坳背灣街 26-28 號富騰工業中心 1614 室
服務熱線 Service Hotline： (852) 2341 2381
電郵查詢 Email enquiry： ask@masswinning.com
服務時間：星期一至五: 10:00-13:00, 14:00-17:00; 星期六、星期日及公眾假期: 休息
6. 為避免電路負荷過重，造成火警危險，每一個供電插座上只可插上一個萬能蘇或一個拖板。(避免在同一插座上有其他電器的插頭插置。) 拖板上不應插上任何萬能蘇，而在萬能蘇上亦不應插上任何拖板。
7. 如發現萬能蘇或拖板或插座的插孔有鬆動現象，不能穩固插頭，或發現插腳難以插入插孔，則不應使用。
8. 避免使用萬能插座及延長電源線；如使用切勿與其他電器共用同一插座，以免導致本產品機件損壞。
9. 此產品只作一般家庭用途。
10. 保養服務只於香港和澳門指定商戶銷售的原裝格力小家電行貨。

環境保護

本產品使用壽命結束時請勿與一般家庭廢棄物一併丟棄。請將該產品放置於政府指定的回收站。此舉能為環保盡一份心力。



重要資訊

儘管本公司或其他生產商受知會，在任何情況下本公司或其生產商將不須就任何聲明、承諾及保證的索償而負責及不會向客戶或協力廠商承擔任何因使用或未能使用此產品所帶來直接的、非直接的、非專業的、特殊的、偶然的、間接的、有代表性的或其他任何損傷的責任(包括但不限於身體的損傷、財產的損失、公司盈利的損失、公司運作受中斷)。在任何情況下本公司或其生產商所承擔之責任將不會超過此產品之購買金額。

產品如有任何技術規格更改不作另行通知。



16" STAND FAN

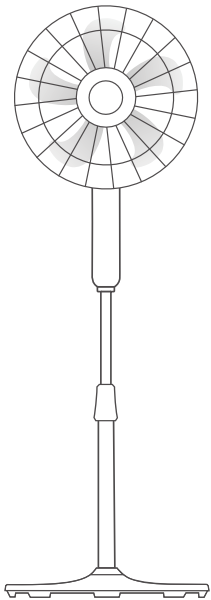
Instruction Manual

FD-4035bh5

Thank you for choosing our product. Please read this Owner's Manual carefully before operation and retain it for future reference.

本說明書提供的圖像可能與實物不盡相同，請以實物為準。
本產品如有更改，恕不另行通知！

Thank you for choosing our product.
Wish you have a good operation.



Content

Safety Notices

Safety Notices 2

Product Information

Parts' Name 4

Product Function 5

Main Technical Parameters 5

Installation and Operation

Installation Method 6

Operation Instruction 9

Maintenance

Maintenance and Protection 11

Warranty 12

Please follow this instruction manual strictly for correct operation. In order to prevent personal injury and property loss, please follow those safety notices as below.

If you don't follow these safety notices, wrong operation may cause accident.

Prohibition

1. This appliance is not intended for use by persons (including children) with reduced physical, sensory or mental capabilities or lack of experience and knowledge, unless they have been given supervision or instruction concerning use of the appliance by a person responsible for their safety. Children should be supervised to ensure that they do not play with the appliance.

2. Do not operate the unit close to the curtain. Do not hang foreign objects on the grille to prevent damaging the balance of the fan or rotational structure.

3. Do not put or install the fan on the oblique plane to prevent inclination or other abnormal phenomenon.

4. Prohibit operating the fan under humid, high-temperature, dusty environment or the place where acid or alkali is stored. Do not operate the unit close to fire source or inflammable objects.

5. When the unit is not operated during maintenance period, please cut off the power and then unplug the power plug.
 ※Do not pull the power plug with wet hand.

Follow

1. If the electric cord is damaged, it must be replaced by the specialized adapter or the specialized subassembly purchased from the manufacturer or appointed maintenance center.

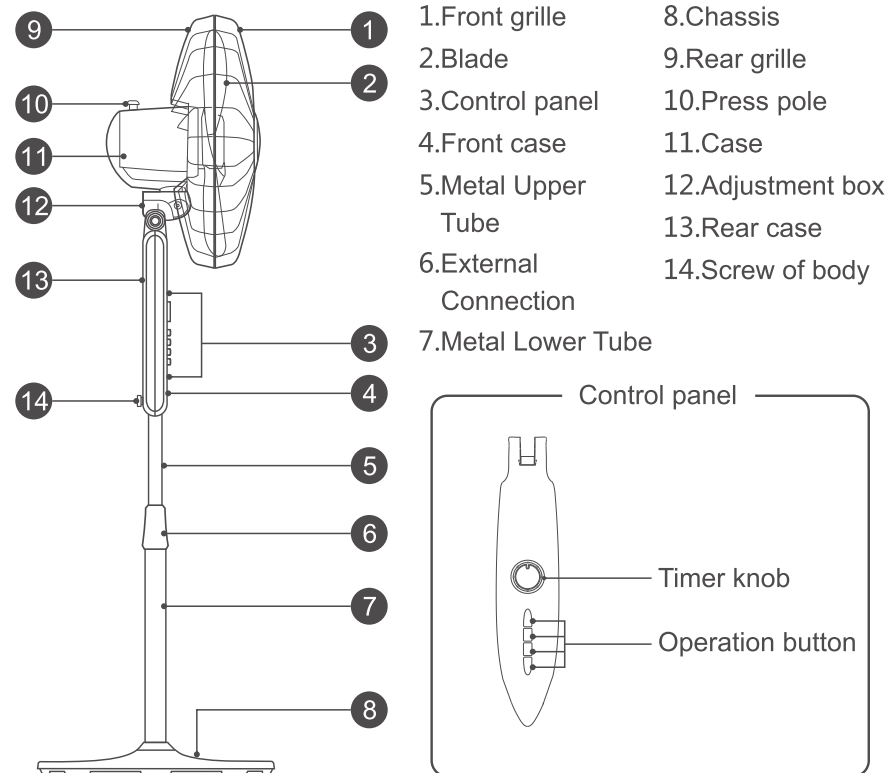
2. During installation process, do not put through the power; Before moving the fan, please cut off the power.

3. During the operation process, do not insert your fingers or sharp objects into grille to prevent personal injury or damage to the fan.

4. The infant, the elder and the patient should not blow the wind for a long time.

5. This product is only for household use.

Parts' Name



- Remark: 1. The figure is only for reference. Please refer to the actual product.
 2. If the structure diagram of product is subject to change without prior notice. Please refer to the actual product.

Product Function

| Function Model | Timer | Speed adjustment | Height adjustment (manual) | Pitch angle adjustment (manual) | Control method |
|-------------------|--------|-------------------------------|-------------------------------|---------------------------------------|-----------------------|
| FD-4035bh5 | 120min | High, medium and low speed | adjustable | adjustable | Mechanical control |

Main Technical Parameters

Note: Should the parameters below be changed, please refer to the product.

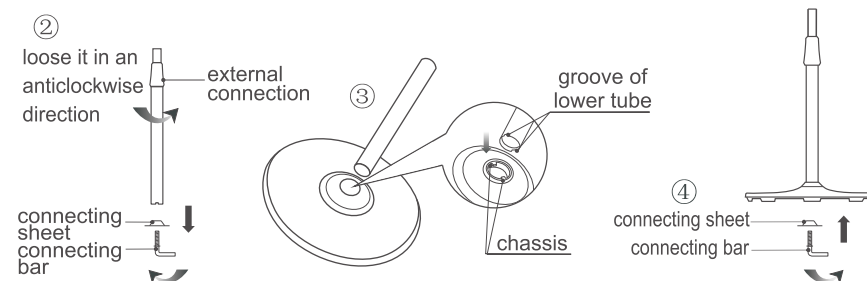
| | |
|-----------------|------------|
| Model | FD-4035bh5 |
| Rated voltage | 220V~ |
| Rated frequency | 50Hz |
| Rated power | 60W |

Installation Method

Caution: During installation, do not insert the power plug into the power socket.

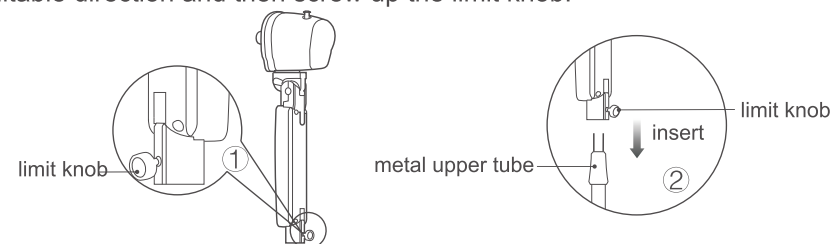
1 Installation of chassis

- ① Take out the fan sub-assy from the carton box.
- ② Loosen the external connection from metal tube sub-assy in an anticlockwise direction, draw out the metal upper tube from the metal lower tube to a certain length, and screw it up tightly in clockwise direction to limit them; Rotate out connecting sheet and connecting bar.
- ③ Aim the groove of lower tube at the boss, and then insert the metal tube sub-assy into the chassis.
- ④ Connect the metal pipe sub-assy, chassis and connecting sheet together with the connecting bar.



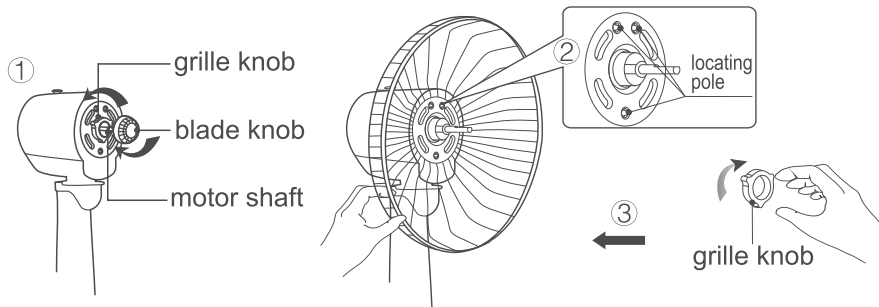
2 Installation of body

- ① Loosen the limit knob a little (note: the limit knob can't be separated from the nut).
- ② Insert the lower part of fan body into metal upper tube, adjust it to suitable direction and then screw up the limit knob.



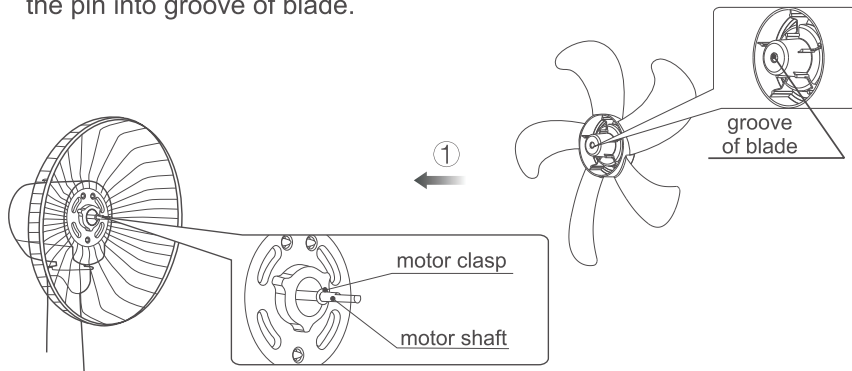
3 Installation of rear grille

- ① Fix the motor shaft with one hand, and rotate out the blade knob in clockwise direction with the other hand. After that, rotate out the grille knob in an anticlockwise direction.
- ② Set the holes of the rear grille at the three locating poles of the motor outer plastic cover and push it forcibly to make sure that the locating poles get through the holes.
- ③ Hold the rear grille with one hand; rotate the grille knob into the motor front plastic cover in a clockwise direction with the other hand to make the rear grille stick on this motor cover tightly.

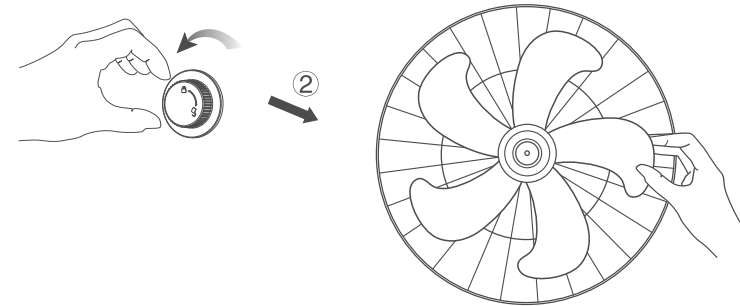


4 Installation of blade

- ① Insert the locating hole of blade into motor shaft, make sure the groove of blade is aiming at the pin of motor shaft, and then put it forcibly to set the pin into groove of blade.

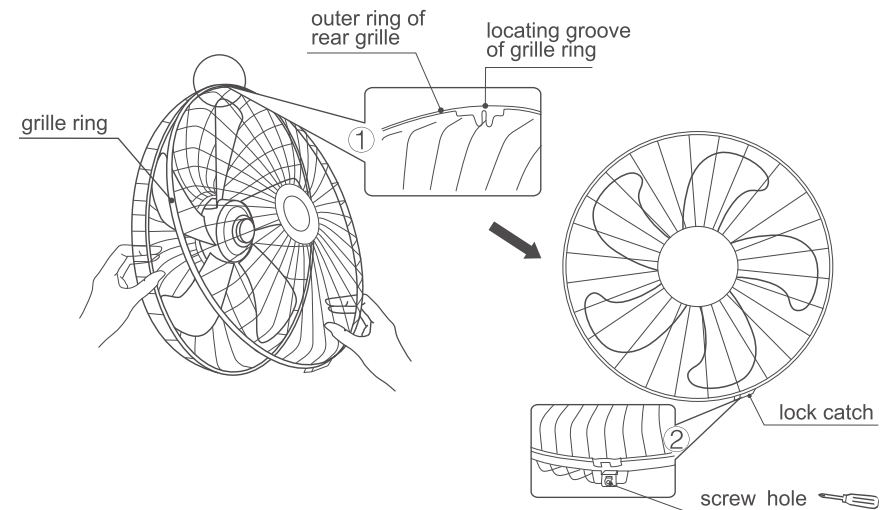


- ② Fix the blade with one hand, and rotate the blade knob in an anticlockwise direction into motor shaft with the other hand tightly.



5 Installation of front grille

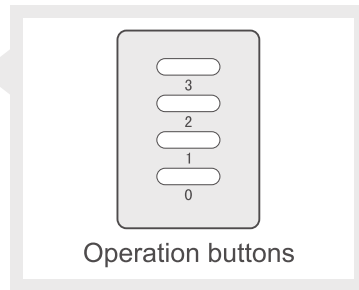
- ① Make front grille and rear grille to an angle, and then hang the locating groove at the upper end of grille on the outer ring of rear grille (note: those two grooves on the front grille should be kept upright during operation; the lock catch on the grille ring should be at lower and right side), and then set the front grille at the rear grille with both hands and lock the lock catch tightly.
- ② Tighten the screws at the lower part of grille ring to fix grille ring, front grille and rear grille tightly.



Operation Instruction

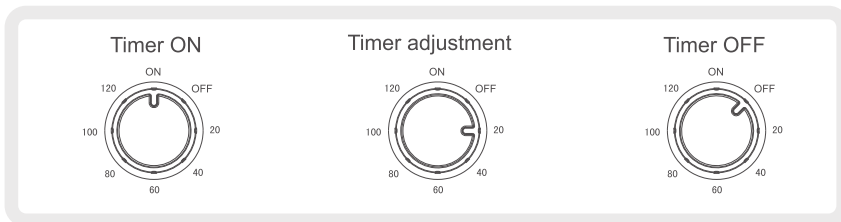
Speed adjustment

- Put through the power to start up the fan and adjust the fan speed;
- Press button "3" and then fan will operate at the high speed.
- Press button "2" and the fan will operate at medium fan speed;
- Press button "1" and then fan will operate at low fan speed;
- Press button "0" and then fan will stop operation.



Timer

- If you want the fan to run, rotate the timer knob to activate the timer. (Don't point the timer knob at the "OFF" position.)
- If you want the fan to run for a long time, please rotate the timer knob to point at "ON".
- If you want the fan to operate at your required time, rotate the timer knob to point at your required time.
- Rotate the timer knob to point at "OFF" or press "0" button on speed adjustment to turn off the fan.



Oscillation

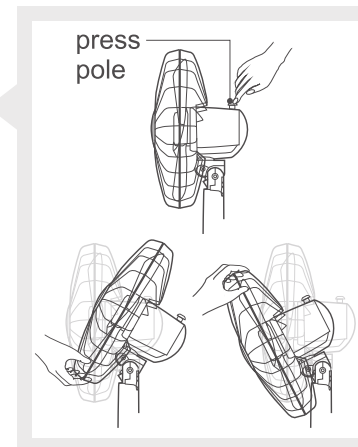
- If you need to fan swing horizontally or stop swing, please press or pull up the pressure pole.

Supply wind upwards and downwards

- If you need the fan supply wind upwards or downwards, please lift or press the grille slightly (as shown in the fig).

Height adjustment

- Loose the upper tube in an anticlockwise direction, draw out the upper tube from the lower tube to a certain length and then tighten it in clockwise direction.



Maintenance and Protection

1. During maintenance, do not insert the power plug into the power socket.
2. During maintenance, please dip the soft cloth into warm water or special ablent for kitchen, twist off the cloth to wipe the fan, and then use a soft dry cloth the wipe it.
3. Do not use hard object to wipe the fan or wipe the fan forcibly to prevent scratch.
4. During maintenance, do not use thinner, alcohol, alkaline detergent, cleaner or propellant to prevent discolor or corrosion.
5. After maintenance, please check whether all parts are installed well before operation.

Warranty

1. The product has 2 year warranty from the date of purchase.
2. Register through www.masswinning.com to get warranty service.
3. The warranty shall not apply:
 - A. To any Product subjected to accident, misuse, neglect, alteration, Acts of- God, improper handling, improper transport, improper use, improper testing or unauthorized repair;
 - B. To cosmetic problems or defects which result from normal wear and tear under ordinary use, and do not affect the performance or use of the product. All warranties are void if the product is opened, altered, and/or damaged;
 - C. To any packing, transportation, export / import tax or any related expenses.
4. **CUSTOMER MUST PRESENT THE SALES INVOICE OR RECEIPT FOR 2 YEAR WARRANTY SERVICES.**
5. Please bring along the product and sales invoice or receipt to our services center for warranty services during office hour as below:

Address: Unit 1614, Fo Tan Industrial Centre, 26-28, Au Pui Wan Street, Fo Tan, Shatin, New Territories, Hong Kong

Service Hotline: (852) 2341 2381

Email enquiry : ask@masswinning.com

Service Hours : 10:00-13:00, 14:00-17:00; Mon – Fri;
Sat, Sun & Public Holiday: Closed
6. To prevent circuit overload and fire, no more than one adaptor or one extension unit should be inserted into a socket outlet. (Do not connect other appliances to the socket outlet supplying an electric heater.) No adaptor should be inserted into any extension unit or vice versa.
7. Stop using an adaptor or extension unit or socket if its socket holes cannot firmly hold a plug or if it is too hard to insert a plug into it.
8. Please make sure the plug is fully plugged-in before use. Do not use any adapter or extension cord; Never use the same supply socket for this appliance and other appliances at the same time, in order to avoid damage to this appliance.
9. THE APPLIANCE IS FOR HOUSEHOLD USE ONLY.
10. This warranty is valid only for original GREE small home appliances sold by authorized dealers in Hong Kong and Macau.

ENVIRONMENT

Do not throw away the appliance with the normal household waste at the end of its life, but hand it in at an official collection point for recycling. By doing this, you help preserving the environment.



IMPORTANT NOTICES

IN NO EVENT SHALL OUR COMPANY OR THE SUPPLIER BE LIABLE TO YOU OR ANY OTHER PARTY FOR ANY DIRECT, INDIRECT, GENERAL SPECIAL, INCIDENTAL, CONSEQUENTIAL, EXEMPLARY OR OTHER DAMAGES ARISING OUT OF THE USE OR INABILITY TO USE THE PRODUCT (INCLUDING, WITHOUT LIMITATION, DAMAGES FOR INJURY, LOSS OF PROPERTY, BUSINESS PROFITS, BUSINESS INTERRUPTION) OR FROM ANY BREACH OF WARRANTY, EVEN IF OUR COMPANY OR SUPPLIER HAS BEEN ADVISED OF THE POSSIBILITY OF SUCH DAMAGES. IN NO CASE SHALL OUR COMPANY OR SUPPLIER'S LIABILITY EXCEED THE AMOUNT YOU PAID FOR THE PRODUCT.

Specifications, designs and dimensions are subject to change without prior notice.