

# SANSHIN

## 14"臺地兩用風扇 使用說明書



The schematic diagram in the instruction manual is only for reference. Please refer to the actual product.

為正確使用本產品，請在使用前仔細閱讀本說明書，並請妥善保存以供今後參考。

說明書如有遺失，可通過下列途徑獲取：

- 1) 直接聯繫當地經銷商；
- 2) 售後熱線(852)2341 2381；

3) 發郵件到ask@masswinning.com索取電子版說明書。

# 目錄

- 01 安裝方法/P1
- 02 操作說明/P3
- 03 規格參數/P4
- 04 安全規範/P4
- 05 維護保養/P5
- 06 電氣原理圖/P5
- 07 保用期資料/P6
- 08 免責條款/P7

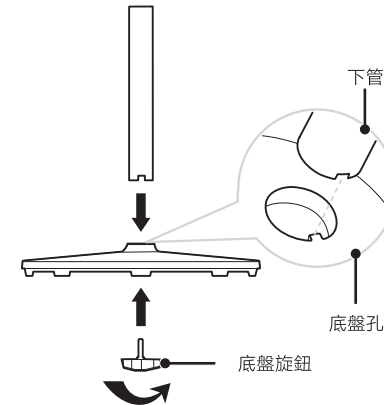
· 適用机型  
SSF1422

## 01 安裝方法

注意：安裝風扇時，禁止將電源線插頭插在插座裏。

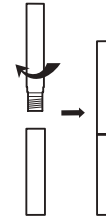
### 底座安裝

· 將下管插入底座孔內，旋緊底座旋鈕。



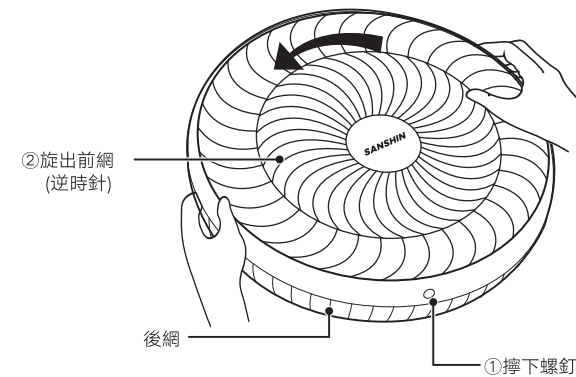
### 機身安裝

· 將機身、中管、下管旋緊到位即可。

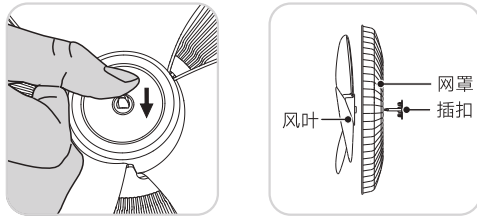


### 風葉拆卸

· 擰下螺釘，逆時針旋轉旋出前網，取出前網和風葉。



· 用手按住插扣斜面位置(如下圖指示位置), 用力往裏推, 插扣松脫後, 將風葉和插扣分離後取出。

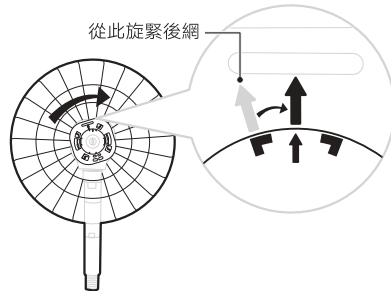


### 溫馨提示

※ 風葉插扣為用於固定風葉的包裝件, 非產品部件。拆卸後可保留用於後續收納用。

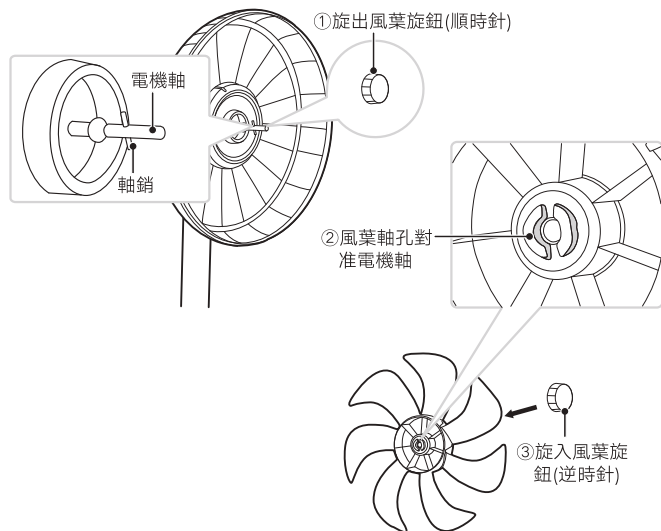
### 後網安裝

· 將機頭前蓋卡扣和後網箭頭標識對齊, 順時針旋轉後網, 使後網箭頭與機頭前蓋箭頭標識對齊。



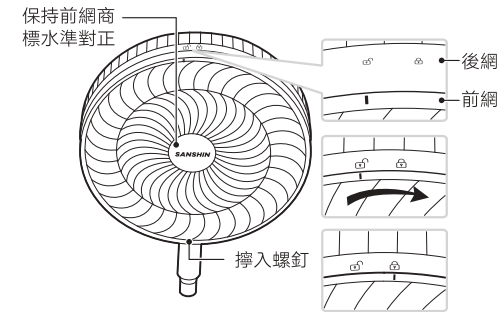
### 風葉安裝

· 托住電機軸, 順時針旋轉取出風葉旋鈕; 將風葉軸孔對準電機軸, 保持電機軸銷與風葉卡槽卡到位; 握住風葉, 將風葉旋鈕逆時針方向旋入電機軸上, 直至旋緊。

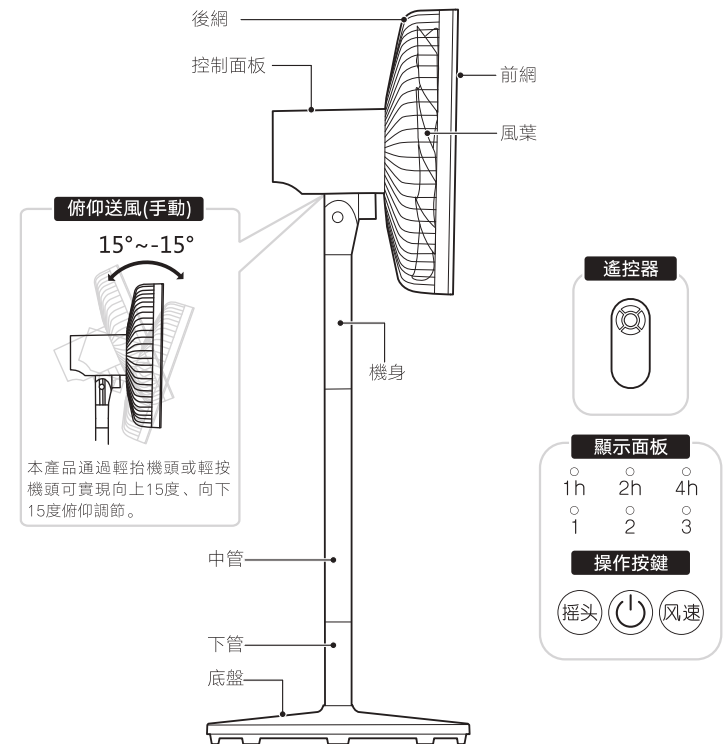


### 前網安裝

· 將前網對位標識對準後網開鎖標識, 確保前後網扣合到位; 順時針旋轉前網, 將前網對位標識對準後網鎖緊標識, 然後將之前拆下的螺釘擰入螺釘孔內, 緊固前後網。



## 02 操作說明



備註: 圖示僅供參考, 產品請以實物為準。



- 接通電源後，按“”鍵可在開機、待機狀態之間切換。

#### 搖頭

- 在開機狀態下，按“搖頭”鍵可開啟或關閉風扇搖頭功能。

#### 風速/調速

- 本產品具有3檔風速可調。
- 在開機狀態下，每短按“風速”鍵或遙控器的“調速”/“風速”鍵一次，風速在1-3檔之間迴圈切換一次；長按可快速調節。

#### 定時預約(遙控器)


- 工作狀態下，短按可設置定時待機時間；待機狀態下，短按可設置預約開機時間，對應指示燈點亮。
- 短按可依次選擇1h→2h→3h→……→7h→取消設置。
- 長按可快速調節。

#### 遙控器

- 本產品具有紅外遙控功能，遙控器按鍵操作參考整機操作。

**備註：**此款遙控器為通用型遙控器，可同時適用於多種類型(功能)的電風扇，部分按鍵功能不適用於本機型。

#### 其他功能

- 熄屏功能  
在工作狀態下40秒無操作，所有指示燈熄滅，按任意按鍵(除“”鍵外)可以重新點亮指示燈。
- 記憶功能  
本產品具有記憶功能，在待機後會記憶當前工作狀態，再次開機時以記憶工作狀態運行。
- 自動待機  
任何工作狀態連續小時無任何操作，風扇會自動待機。

## 03 規格參數

型號	SSF1422
額定電壓	220V~
額定頻率	50Hz
額定輸入功率	55W
噪音	≤63dB(A)

注：具體參數請以產品為準。

## 04 安全規範

請嚴格按照本說明書要求正確使用本產品。為避免造成人員傷害及財產損失，列出了以下安全規範，請務必執行。不執行安全規範而錯誤使用時可能導致事故發生。

#### 禁止事項

1. 器具不打算由有肢體、感官或精神能力缺陷或缺少使用經驗和知識的人(包括兒童)使用，除非有負責他們安全的人對他們進行與器具使用有關的監督或指導。應照看好兒童，確保他們不玩耍本器具。
2. 請勿在靠近窗簾的位置使用；不要在網罩上懸掛外物，以免破壞風扇平衡及轉動機構。
3. 請勿將風扇放置或安裝到斜面，避免傾倒或其他異常。
4. 禁止在潮濕、高溫、多塵或儲存酸鹼處使用，避開火源或易燃物。
5. 在安裝、移動過程中或不使用、維護保養時必須切斷電源並拔下電源插頭。不可用濕手插、拔電源插頭。

#### 遵守事項

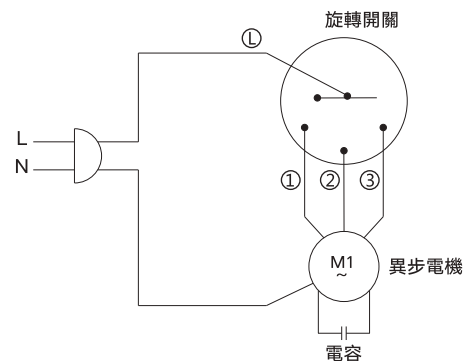
1. 如果電源軟線損壞，為了避免危險，必須由製造商、其維修部或類似部門的專業人員更換。
2. 風扇運轉期間，切勿把手指、尖物插入網罩內，以免造成人身傷害或破壞風扇。
3. 本產品只適用於家庭使用。
4. 安裝過程中請勿接通電源，移動、清潔、保養產品時請切斷電源。
5. 嬰兒、老人、病人請勿長時間吹風。

## 05 維護保養

為防止對器具的傷害，清洗前請先拔下電源插頭，在產品完全冷卻後才能開始清潔和保養。應使用軟布和中性洗滌劑擦乾後擦拭風扇。請勿使用任何會損壞產品表面的研磨工具和溶劑。再次使用前須保證產品乾燥並安裝到位。

1. 請勿使用硬物或用力擦拭，以免刮花風扇表面。
2. 保養時請用軟布浸溫水或廚房專用洗滌劑後擰幹擦拭風扇，然後用軟的幹布擦淨。
3. 清洗前請先拔下電源插頭在產品完全冷卻後才能開始清洗和保養。所有零部件的清潔，請勿使用香薰水、酒精、去污粉、硬質刷等。清洗完畢後，再次使用前請檢查可拆卸部件是否安裝到位。
4. 如產品配有遙控器或適配器，請妥善保管，不要摔跌。

## 06 電氣原理圖



## 07 保用期資料

1. 由購買日期計正常使用下提供兩年保用。
2. 保用不包括下列各項：
  - A. 產品錯誤使用、被更改、天災、因運輸拆卸不當、錯誤測試、不合格維修及錯誤使用。
  - B. 更換、修理、及翻新外殼、機身或不影響產品功能。
  - C. 產品的包裝、運輸費及出入口關稅或任何相關費用。
3. **請妥善保存產品購買發票/單據。必須出示產品購買發票/單據方可獲兩年保養服務。**
4. 請自行攜同本產品及有關購買單據前往下列地址維修：  
地址： 香港火炭坳背灣街37-39號峰達工業大廈602室  
服務熱線 Service Hotline： (852) 2341 2381  
電郵查詢 Email enquiry： ask@masswinning.com  
服務時間：星期一至五: 10:00-13:00, 14:00-17:00; 星期六、星期日及公眾假期: 休息
5. 為避免電路負荷過重，造成火警危險，每一個供電插座上只可插上一個萬能蘇或一個拖板。(避免在同一插座上有其他電器的插頭插置。) 拖板上不應插上任何萬能蘇，而在萬能蘇上亦不應插上任何拖板。
6. 如發現萬能蘇或拖板或插座的插孔有鬆動現象，不能穩固插頭，或發現插腳難以插入插孔，則不應使用。
7. 避免使用萬能插座及延長電源線；如使用切勿與其他電器共用同一插座，以免導致本產品機件損壞。
8. 此產品只作一般家庭用途。
9. 保養服務只於香港和澳門指定商戶銷售的原裝格力小家電行貨。

### 環境保護

本產品使用壽命結束時請勿與一般家庭廢棄物一併丟棄。請將該產品放置於政府指定的回收站。此舉能為環保盡一份心力。



### 重要資訊

儘管本公司或其他生產商受知會，在任何情況下本公司或其生產商將不須就任何聲明、承諾及保證的索償而負責及不會向客戶或協力廠商承擔任何因使用或未能使用此產品所帶來直接的、非直接的、非專業的、特殊的、偶然的、間接的、有代表性的或其他任何損傷的責任(包括但不限於身體的損傷、財產的損失、公司盈利的損失、公司運作受中斷)。在任何情況下本公司或其生產商所承擔之責任將不會超過此產品之購買金額。

產品如有任何技術規格更改不作另行通知。

## 08 免責條款

下列原因造成的人身、財產等損失，製造商概不負責：

1. 沒有正確使用產品或因疏忽或誤用造成產品損壞；
2. 沒有遵守製造商的書面說明，更改、改造、維修或與其他設備一起使用產品；
3. 經核實，產品缺陷是直接由腐蝕性氣體造成的；
4. 經核實，產品在運輸過程中因操作不當出現缺陷；
5. 未按使用說明書或相關規定進行操作、維護、保養造成機組損壞的；
6. 經核實，問題或爭議是由非製造商的零配件的品質、規格或性能發生的或造成的；
7. 因不可抗拒的自然災害或使用環境惡劣造成損壞的。

# 14"Table stand fan

## Owner's Manual



1 7 3 3 0 9 9 0 1 0 5 2

本說明書的圖示僅供參考，產品請以實物為準。

Thank you for choosing our product. Please read this Owner's Manual carefully before operation and retain it for future reference.

If you have lost the Owner's Manual, please contact the local agent or call (852)2341 2381 or send email to [ask@masswinning.com](mailto:ask@masswinning.com) for electronic version.

# Content

- 01 Installation Methods/P1
- 02 Operation Instruction/P3
- 03 Main Technical Parameters/P4
- 04 Safety Regulation/P4
- 05 Maintenance/P5
- 06 Electric Circuit Diagram/P5
- 07 Warranty/P6
- 08 Exception Clauses/P7

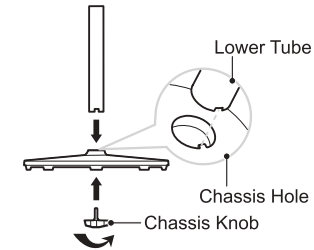
• **Applicable model**  
SSF1422

## 01 Installation Methods

**Caution:** During installation, prohibit inserting the power plug into the power socket.

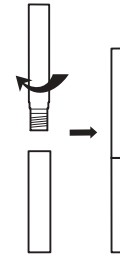
### Chassis Installation

- Insert the lower tube to the chassis hole and rotate the knob on the chassis.



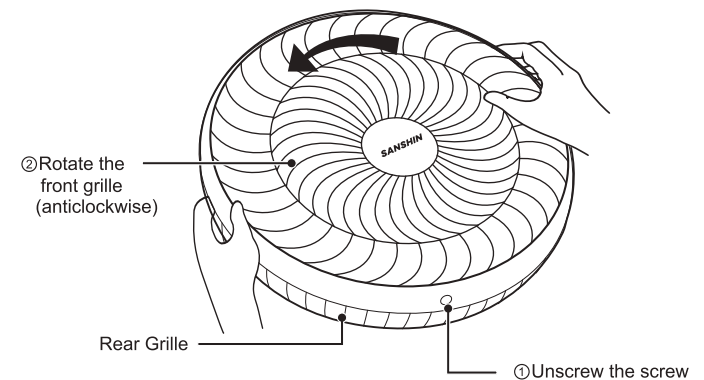
### Unit Body Installation

- Rotate the body, middle tube and lower tube tightly.

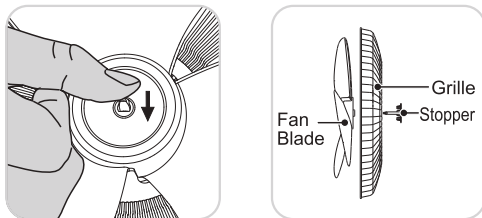


### Fan Blade Disassembly

- Unscrew the screw, rotate the front grille in anticlockwise direction and take out the front grille and fan blade.



· Press the slope surface of stopper (as shown below), and press it inward, when the stopper is loose, separate the fan blade and stopper and remove them.

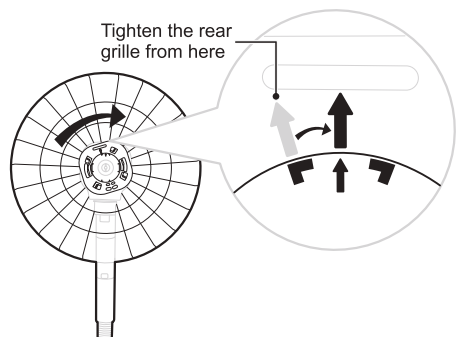


### Note

※ Blade stopper is the packaging part for fixing the fan blade, which is not the component of product. After disassembly, please keep it well for later use.

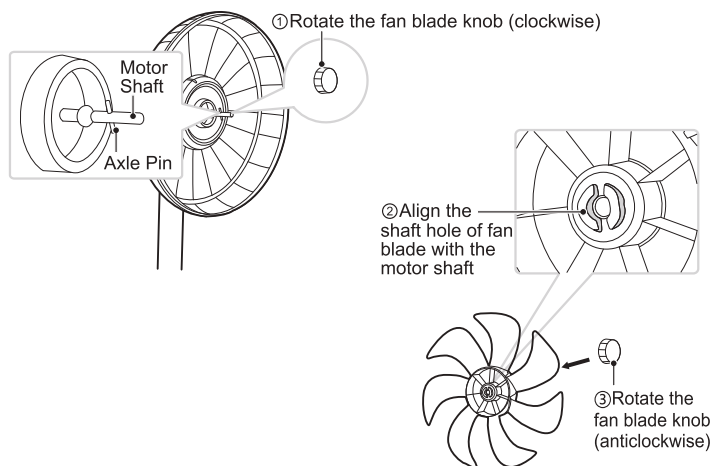
### Rear Grille Installation

· Align the clasp in the front cover with the arrow mark in the rear grille, rotate the rear grille in clockwise to align the arrow in the rear grille with the arrow mark in the front cover.



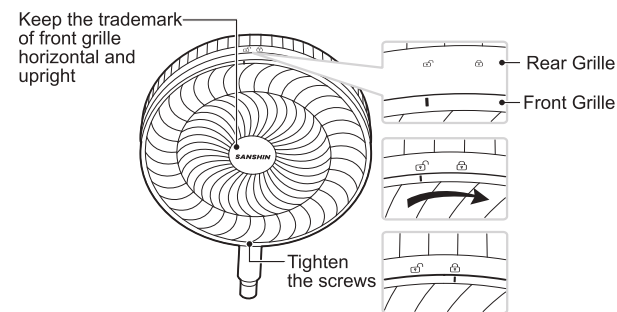
### Fan Blade Installation

· Hold the motor shaft, take out the fan blade knob in clockwise; align the shaft hole of fan blade with the motor shaft and ensure that the motor axle pin and the fan blade groove is clasped properly; hold the fan blade, rotate the fan blade knob to the motor shaft in anticlockwise direction until it is tight.

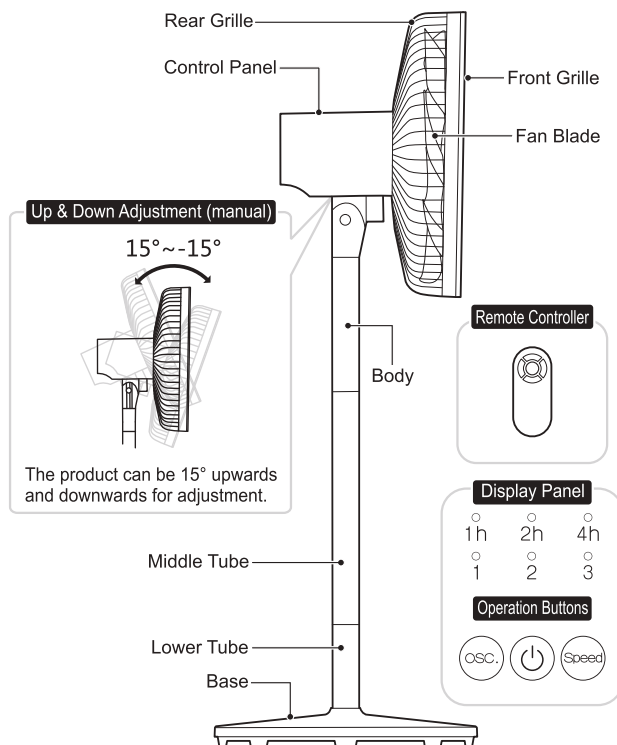


### Front Grille Installation

· Align the locating mark of front grille with the unlocking mark of rear grille, please ensure the front grille and rear grille is properly buckled; rotate the front grille in clockwise, align the locating mark of front grille with the locking mark of rear grille, then tighten the screws dismantled before inside the screw hole and fasten the front grille and rear grille.



## 02 Operation Instruction



Remark: The picture is only for reference. Please refer to the actual product.





· When putting through the power, press “” to turn on or turn off the unit.

#### OSC.

· Under on status, press “osc.” button to turn on or turn off the oscillation function.

#### Speed

· The product is with three fan speeds.

· Under on status, press “Speed” button on the display panel and remote controller, the fan speed will be changed once; hold “Speed” button can adjust the fan speed quickly.

#### Timer/Preset (Remote Controller)

· Under working status, press it can set timer off; under standby status, press it can set preset on. The corresponding indicator will be on.

· Press it can select 1h→2h→3h→.....→7h→ cancel.

· Hold it can adjust the time for timer or preset quickly.


#### Remote Controller

· It has the infrared remote control function. Please refer to the operation manual for the operation of remote controller.

Remark: The remote controller is the general type, suitable for the electric fan of different models (functions), but some button functions are not applicable for this model.

#### Other Functions

· Screen off function

All indicators will be off when there's no operation for 40s under working status. Press any button (except “”) can light up the indicator.

· Memory function

This unit with memory function. Current working status will be memorized when returning to standby status; when the unit is turned on again, the unit will work under the memorized working status.

· Auto standby

When there's no operation for consecutive 15h under any working status, the fan will automatically enter standby status.

## 03 Main Technical Parameters

Model	SSF1422
Rated Voltage	220V~
Rated Frequency	50Hz
Rated Power Input	55W
Noise	≤63dB(A)

Notice: Please refer to the product for the detailed parameters.

## 04 Safety Regulation

**Please follow this instruction manual strictly for correct operation. In order to prevent personal injury and property loss, please follow those safety regulations as below. If you don't follow these safety regulations, wrong operation may cause accident.**

### Prohibition

- 1.This appliance is not intended for use by persons(including children)with reduced physical, sensory or mental capabilities or lack of experience and knowledge, unless they have been given supervision or instruction concerning use of the appliance by a person responsible for their safety.Children should be supervised to ensure that they do not play with the appliance.
- 2.Do not operate the unit close to the curtain. Do not hang foreign objects on the grille to prevent damaging the balance of the fan or rotational structure.
- 3.Do not put or install the fan on the oblique plane to prevent inclination or other abnormal phenomenon.
- 4.Prohibit operating the fan under humid, high-temperature, dusty environment or the place where acid or alkali is stored. Do not operate the unit close to fire source or inflammable objects.
- 5.When the unit is not operated during maintenance period, please cut off the power and then unplug the power plug. Do not pull the power plug with wet hand.

### Follow

- 1.If the supply cord is damaged, it must be replaced by the manufacturer, its service agent or similarly qualified persons in order to avoid a hazard.
- 2.During the operation process, do not insert your fingers or sharp objects into grille to prevent personal injury or damage to the fan.
- 3.This product is only for household use.
- 4.Do not connect the power during installation. When moving, cleaning and maintaining the product, please cut off the power.
- 5.The infant, the elder and the patient should not blow the wind for a long time.

## 05 Maintenance

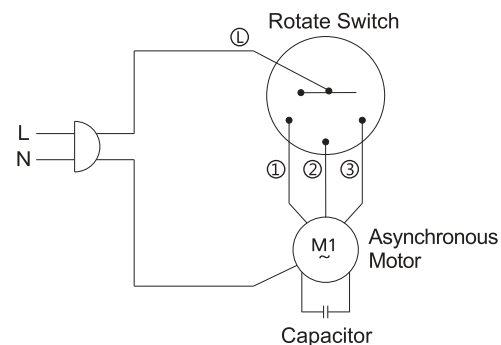
To prevent the damages to the appliance, please remove the power plug before cleaning. Clean and maintenance shall be conducted after the product is completely cool. Please use twisted soft cloth with neutral detergent to wipe the fan. Don't use any grinding tool and solvent which will damage the surface of the product. Before using the product again, please ensure it is dry and properly installed.

- 1.Do not use hard object to wipe the fan or wipe the fan forcibly to prevent scratch.
- 2.During maintenance, please dip the soft cloth into warm water or special detergent for kitchen, twist off the cloth to wipe the fan, and then use a soft dry cloth the wipe it.
- 3.Before cleaning, remove the power plug first. Do not start cleaning and maintenance until the product is completely cooled down. Do not use thinner, alcohol, cleaning powder or hard brush to clean the components.

After cleaning, please check whether all parts are installed in place before operation.

- 4.If the product is equipped with a remote controller or power adapter, please keep them well and don't drop them.

## 06 Electric Circuit Diagram



## 07 Warranty

1. The product has 2 year warranty from the date of purchase.
2. The warranty shall not apply:
  - A. To any Product subjected to accident, misuse, neglect, alteration, Acts of- God, improper handling, improper transport, improper use, improper testing or unauthorized repair;
  - B. To cosmetic problems or defects which result from normal wear and tear under ordinary use, and do not affect the performance or use of the product. All warranties are void if the product is opened, altered, and/or damaged;
  - C. To any packing, transportation, export / import tax or any related expenses.

### 3. **CUSTOMER MUST PRESENT THE SALES INVOICE OR RECEIPT FOR 2 YEAR WARRANTY SERVICES.**

4. Please bring along the product and sales invoice or receipt to our services center for warranty services during office hour as below:

Address: Unit 602, Fonda Industrial Building, 37-39, Au Pui Wan Street, Fo Tan,  
Shatin, New Territories, Hong Kong

Service Hotline: (852) 2341 2381

Email enquiry : ask@masswinning.com

Service Hours : 10:00-13:00, 14:00-17:00; Mon – Fri;  
Sat, Sun & Public Holiday: Closed

5. To prevent circuit overload and fire, no more than one adaptor or one extension unit should be inserted into a socket outlet. (Do not connect other appliances to the socket outlet supplying an electric heater.) No adaptor should be inserted into any extension unit or vice versa.
  6. Stop using an adaptor or extension unit or socket if its socket holes cannot firmly hold a plug or if it is too hard to insert a plug into it.
  7. Please make sure the plug is fully plugged-in before use. Do not use any adapter or extension cord; Never use the same supply socket for this appliance and other appliances at the same time, in order to avoid damage to this appliance.
8. THE APPLIANCE IS FOR HOUSEHOLD USE ONLY.
9. This warranty is valid only for original GREE small home appliances sold by authorized dealers in Hong Kong and Macau.

### **ENVIRONMENT**

Do not throw away the appliance with the normal household waste at the end of its life, but hand it in at an official collection point for recycling. By doing this, you help preserving the environment.



### **IMPORTANT NOTICES**

IN NO EVENT SHALL OUR COMPANY OR THE SUPPLIER BE LIABLE TO YOU OR ANY OTHER PARTY FOR ANY DIRECT, INDIRECT, GENERAL SPECIAL, INCIDENTAL, CONSEQUENTIAL, EXEMPLARY OR OTHER DAMAGES ARISING OUT OF THE USE OR INABILITY TO USE THE PRODUCT (INCLUDING, WITHOUT LIMITATION, DAMAGES FOR INJURY, LOSS OF PROPERTY, BUSINESS PROFITS, BUSINESS INTERRUPTION) OR FROM ANY BREACH OF WARRANTY, EVEN IF OUR COMPANY OR SUPPLIER HAS BEEN ADVISED OF THE POSSIBILITY OF SUCH DAMAGES. IN NO CASE SHALL OUR COMPANY OR SUPPLIER'S LIABILITY EXCEED THE AMOUNT YOU PAID FOR THE PRODUCT.

*Specifications, designs and dimensions are subject to change without prior notice.*

## 08 Exception Clauses

**Manufacturer will bear no responsibilities when personal injury or property loss is caused by the following reasons:**

1. Damage the product due to improper use or misuse of the product;
2. Alter, change, maintain or use the product with other equipment without abiding by the instruction manual;
3. After verification, the defect of product is directly caused by corrosive gas;
4. After verification, defects are due to improper operation during transportation of product;
5. Operate, repair, maintain the unit without abiding by instruction manual or related regulations;
6. After verification, the problem or dispute is caused by the quality specification or performance of parts and components that produced by other manufacturers;
7. The damage is caused by natural calamities, bad using environment or force majeure.