

SANSHIN

SAC0423遙控負離子冷風扇 使用說明書

目錄

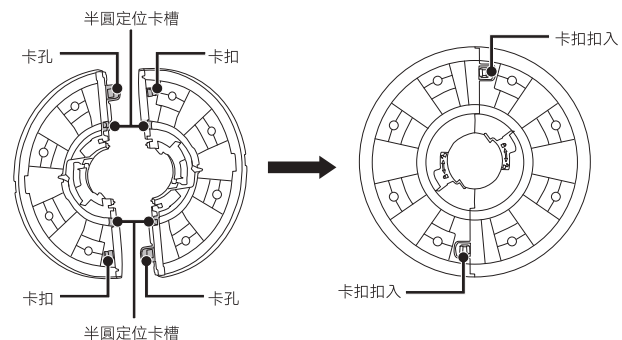
- 01 操作說明/P1
- 02 規格參數/P4
- 03 安全規範/P4
- 04 維護保養/P5
- 05 常見故障處理/P6
- 06 免責條款/P6
- 07 保用期資料/P7

• 適用機型
SAC0423

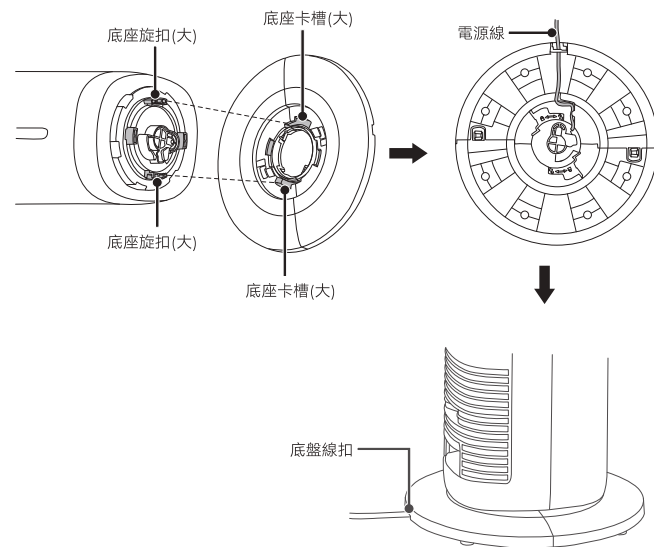
01 操作說明

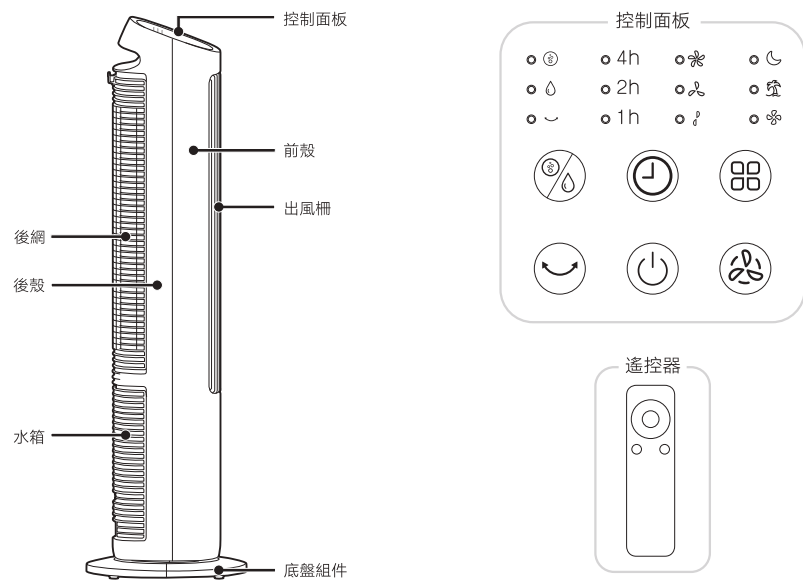
注意：請按如下安裝方式裝配底盤，嚴禁未組裝好使用。

- 將底盤的兩部分和機身從包裝箱中取出，兩部分底盤沿著半圓型定位卡槽對碰旋轉，兩部分底盤旋轉至底面平齊兩邊卡扣鎖緊，完成底盤組裝。



- 機身電源線穿過底盤穿線孔，將底盤卡槽(大)對準底座旋扣(大)後，移動底盤使旋扣插進卡槽；逆時針旋轉旋到到位，再將電源線安裝在底盤走線槽中，注意將電源線固定在線上扣內並捋直。





備註：圖示僅供參考，產品請以實物為準。

⏻ 鍵

· 接通電源後，按控制面板或遙控器“⏻”鍵可在開機、待機狀態之間切換。

🌀 鍵

· 本產品具有三檔風速可調。
· 開機狀態下，按“🌀”鍵調整風速檔位，每按一下，風速檔位增加一檔(長按可快速調節)，增加至最高檔位後，再按“🌀”鍵返回最低檔位，依次循環，風速指示燈作相應變化。
· 開機狀態下，短按遙控器“+”或“-”鍵，可調節風速，直至最大或最小檔(長按可快速調節)。

🕒 鍵

· 開機後，短按“🕒”鍵選擇定時待機時間(1h-7h，長按可快速調節)，到7h後則短按取消定時。
· 待機狀態下，短按“🕒”鍵選擇預約開機時間(1h-7h，長按可快速調節)，到7h後則短按取消預約。

🌬️ 鍵

· 按該鍵可實現“普通風”、“自然風”、“睡眠風”模式切換。
· 自然風🌬️：按預設程序模擬大自然送風，風速忽大忽小自然變化。
· 睡眠風🌙：按預設程序送風，適合睡眠時使用，具有檔位自動降低功能。

🔄 鍵

· 在開機狀態下，按“🔄”鍵可開啟或關閉搖頭功能。
· 切勿強行擰轉扇體改變送風方向，否則會損壞產品。

🌫️ 鍵

· 開機後，當加濕和負離子功能都關閉時，短按“🌫️”鍵可循環切換(開啟加濕→開啟負離子→加濕和負離子全部開啟→加濕和負離子全部關閉)。

遙控器

· 遙控器上部分按鍵與控制面板上按鍵功能相同，使用時應將紅外線發射管對準機身，遙控器與機體之間不能有障礙物。(長時間不使用遙控器時，請將電池取出)

缺水保護

· 當水箱缺水時，潛水泵停止工作約1分鐘後，加濕指示燈閃爍提醒。
· 出現缺水保護時，請根據“加水方式”指示完成加水後，重新開啟加濕功能。

半亮顯示

· 連續40秒無按鍵操作，顯示進入半亮狀態，按任意按鍵退出半亮狀態。

記憶功能

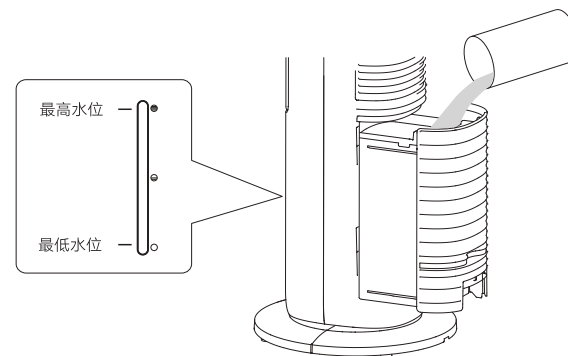
· 本產品具有記憶功能，在待機不斷電情況下，記憶當前工作狀態，再次開機時以記憶工作狀態運行。

自動待機

· 工作狀態連續15小時無操作，產品會自動待機。

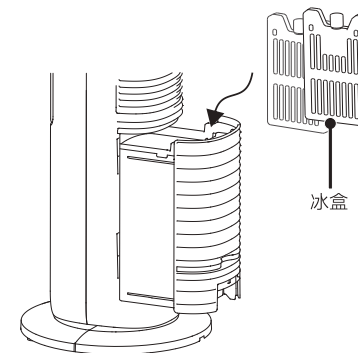
加水方式

· 抽出水箱前，請務必先切斷電源。
· 將水箱抽出進行加水，加水時，請注意機器水位顯示，不要超出最高水位線或低於最低水位線；如加水超過最高水位線，容易導致水從機器中溢出。
· 推拉水箱時避免用力過猛，以免水溢出或損壞部件；抽出時請確認濕簾內殘留水已回流到水箱裏，防止濕簾內殘留水留到機體外。



冰盒

· 使用時禁止打開冰盒蓋子，禁止食用冰盒內部冰晶。使用前，冰盒先放入冰箱冷凍四小時左右，再放入到機器水箱內部水中。
· 放入冰盒：從背面抽出水箱，並按水箱內標示側放置冰盒。
· 取出冰盒：從背面抽出水箱取出冰盒。
· 配備的冰盒可循環使用。
· 放入或取出冰盒前，請務必關機，並拔出電源線插頭。



02 規格參數

產品型號	SAC0423
額定電壓	220-240V~
額定頻率	50Hz
額定輸入功率	50W
額定輸出風量	360m ³ /h
額定蒸發量	600mL/h
噪聲	63dB(A)
類型	單冷

備註：1.風量、蒸發量大小視環境濕度不同會增加或減少。

2.具體參數請以產品為準。

03 安全規範

請嚴格按照本說明書要求正確使用本產品。

為避免造成人員傷害及財產損失，列出了以下安全規範，請務必執行。

不執行安全規範而錯誤使用時可能導致事故發生。

禁止事項

- 1.器具不打算由有肢體、感官或精神能力缺陷或缺少使用經驗和知識的人(包括兒童)使用，除非有負責他們安全的人對他們進行與器具使用有關的監督或指導。
- 2.應照看好兒童，確保他們不玩弄本器具。
- 3.在使用時不要讓電源線位於出風口處或接觸出風口附近的產品表面。
- 4.不要用電源線捆綁器具，否則將易損壞電源線絕緣外套。
- 5.嚴禁將木棍、金屬棍等異物塞入進、出風口。
- 6.不要使液體進入冷風扇內部。
- 7.不要與其他電器共用電源插座，以免電流超載。電源插座的電流容量應與器具插頭規格保持一致，同時必須確保插頭的插片與插座接觸良好。
- 8.不可將本機體置於高溫或低溫處，炎夏水箱中的水易變質產生異味，注意更換新水。冬天使用本機加濕，當室內溫度低於0℃時需使用溫水加濕，用完後應及時用毛巾將水箱的水吸出。

遵守事項

- 1.如果電源軟線損壞，為了避免危險必須由製造商、其維修部或類似部門的專業人員更換。
- 2.停止使用時請將電源插頭拔下，拔插時應注意安全，不要用手拉電源線。
- 3.器具加水後，放置或移動不要傾斜或碰撞，要移動本機請慢慢推動，以免水溢出，使用本機嚴禁傾倒以防造成事故。若產品傾倒，且機內有水，應立即拔下插頭確保充分晾乾後方可開機或聯繫售後專業人員處理。
- 4.當器具長時間不使用時必須關機並將電源插頭拔出，以免對器具造成傷害。
- 5.請勿折疊或將重物放置到電源線上。
- 6.本產品只適用於家庭使用。
- 7.注水和清潔時拔掉電源插頭。

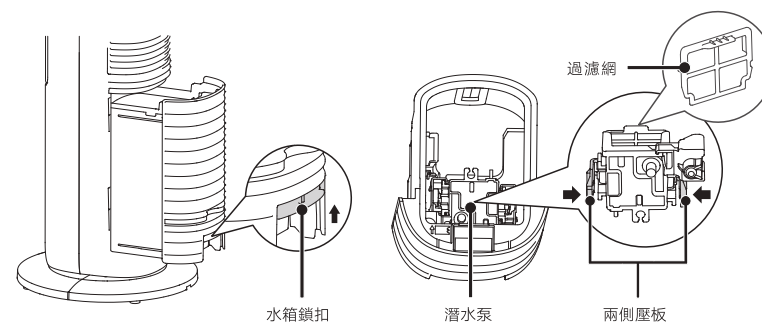
04 維護保養

水箱清洗

- 維護保養請務必先切斷電源。
- 將拇指放置在水箱按壓槽內，其餘四指將水箱鎖扣向上擠壓，即可將水箱全部拉出。請勿暴力抽拉水箱。
- 水箱底部固定有潛水泵組件，單手伸入水箱，輕捏潛水泵兩側的壓板，即可將潛水泵取出，拔出潛水泵過濾網。
- 使用軟毛刷或柔布對水箱及潛水泵過濾網清潔，然後用清水沖洗乾淨。

溫馨提示：為使本機器保持最佳使用狀態以及延長機器使用壽命，請每兩周對水箱、潛水泵過濾網清洗一次。

注意：如機器使用環境較差(比如塵埃、水垢較多、水質較差)必須適當增加清洗頻率。



機身清洗

- 機身表面清洗，使用濕抹布擦拭乾淨即可，嚴禁用水直接沖洗。
- 請勿使用有腐蝕性的洗滌劑清洗。

05 常見故障處理

故障	故障原因	處理方法
不運行	電源線未接通電源或接觸不良	插上電源並確保接觸良好
	未開機	按操作指引內容開機
	內部接線松脫	送維修點維修
不加濕/潛水泵異響	水箱無水或水量低於水箱最低水位線	斷電加水，並確保水位高於最低水位
	潛水泵抽不上水	重複按“加濕”鍵直至潛水泵正常抽水
	潛水泵過濾網堵塞	清洗潛水泵過濾網
	濕簾組件出水孔堵塞	送維修點維修
	潛水泵損壞或內部接線松脫	送維修點維修
機體異響	機體內有雜物	送維修點維修
	風輪鬆動或電機故障	送維修點維修

06 免責條款

下列原因造成的人身、財產等損失，製造商概不負責：

1. 沒有正確使用產品或因疏忽或誤用造成產品損壞；
2. 沒有遵守製造商的書面說明，更改、改造、維修或與其他設備一起使用產品；
3. 經核實，產品缺陷是直接由腐蝕性氣體造成的；
4. 經核實，產品在運輸過程中因操作不當出現缺陷；
5. 未按使用說明書或相關規定進行操作、維護、保養造成機組損壞的；
6. 經核實，問題或爭議是由非製造商的零配件的品質、規格或性能發生的或造成的；
7. 因不可抗拒的自然災害或使用環境惡劣造成損壞的。

07 保用期資料

1. 由購買日期計正常使用下提供兩年保用。
2. 保用不包括下列各項：
 - A. 產品錯誤使用、被更改、天災、因運輸拆卸不當、錯誤測試、不合格維修及錯誤使用。
 - B. 更換、修理、及翻新外殼、機身或不影響產品功能。
 - C. 產品的包裝、運輸費及出入口關稅或任何相關費用。
3. **請妥善保存產品購買發票/單據。必須出示產品購買發票/單據方可獲兩年保養服務。**
4. 請自行攜同本產品及有關購買單據前往下列地址維修：
地址：香港火炭坳背灣街37-39號峰達工業大廈602室
服務熱線 Service Hotline：(852) 2341 2381
電郵查詢 Email enquiry：ask@masswinning.com
服務時間：星期一至五: 10:00-13:00, 14:00-17:00; 星期六、星期日及公眾假期: 休息
5. 為避免電路負荷過重，造成火警危險，每一個供電插座上只可插上一個萬能蘇或一個拖板。(避免在同一插座上有其他電器的插頭插置。) 拖板上不應插上任何萬能蘇，而在萬能蘇上亦不應插上任何拖板。
6. 如發現萬能蘇或拖板或插座的插孔有鬆動現象，不能穩固插頭，或發現插腳難以插入插孔，則不應使用。
7. 避免使用萬能插座及延長電源線；如使用切勿與其他電器共用同一插座，以免導致本產品機件損壞。
8. 此產品只作一般家庭用途。
9. 保養服務只於香港和澳門指定商戶銷售的原裝格力小家電行貨。

環境保護

本產品使用壽命結束時請勿與一般家庭廢棄物一併丟棄。請將該產品放置於政府指定的回收站。此舉能為環保盡一份心力。



重要資訊

儘管本公司或其他生產商受知會，在任何情況下本公司或其生產商將不須就任何聲明、承諾及保證的索償而負責及不會向客戶或協力廠商承擔任何因使用或未能使用此產品所帶來直接的、非直接的、非專業的、特殊的、偶然的、間接的、有代表性的或其他任何損傷的責任(包括但不限於身體的損傷、財產的損失、公司盈利的損失、公司運作受中斷)。在任何情況下本公司或其生產商所承擔之責任將不會超過此產品之購買金額。

產品如有任何技術規格更改不作另行通知。

SAC0423 Remote Control Anion Air Cooler

Instruction Manual

本說明書的圖示僅供參考，產品請以實物為準。

Thank you for choosing our product. Please read this Owner's Manual carefully before operation and retain it for future reference.

If you have lost the Owner's Manual, please contact the local agent or call (852)2341 2381 or send email to ask@masswinning.com for electronic version.

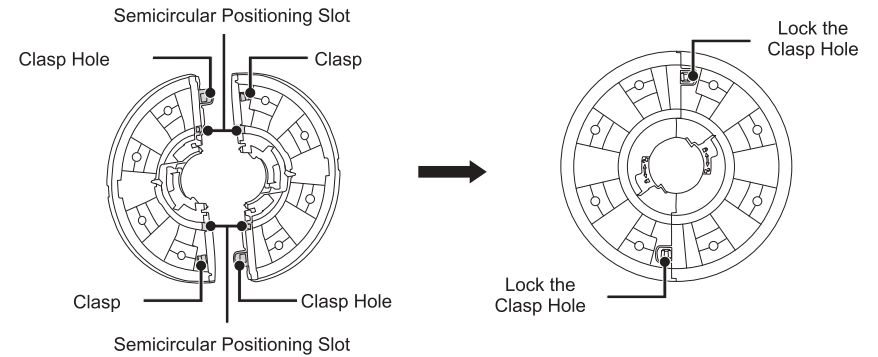
Content

- 01 Operation Method/P1
- 02 Main Technical Parameters/P4
- 03 Safety Regulation/P4
- 04 Maintenance/P6
- 05 Exception Clauses/P6
- 06 Warranty/P5

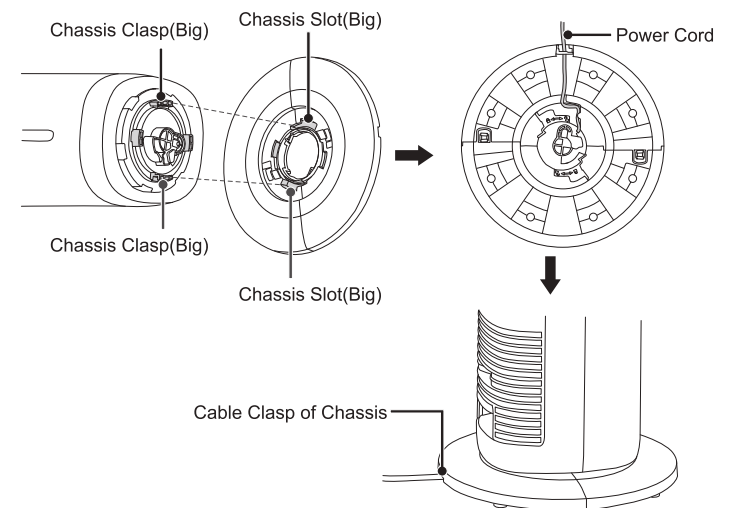
• **Applicable model**
SAC0423

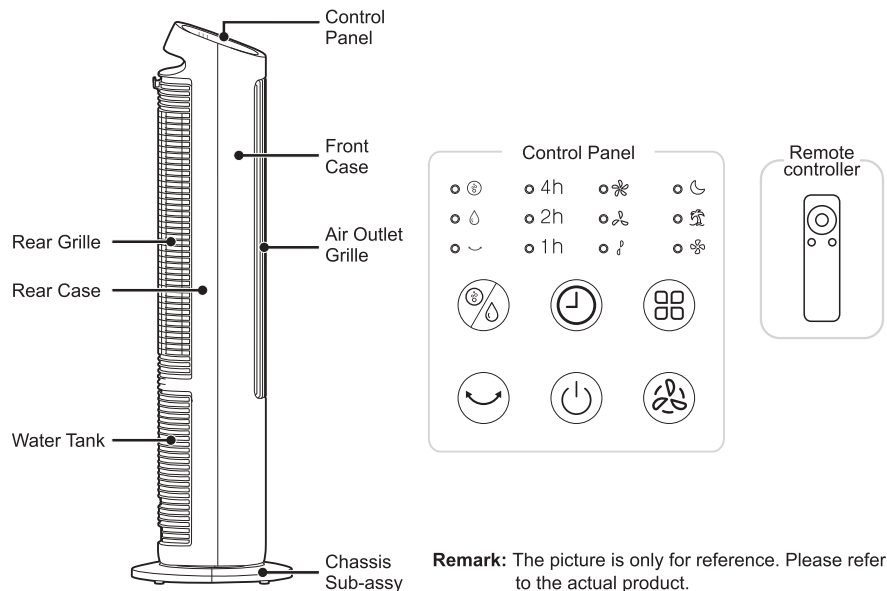
01 Operation Method

- Note:** Please assemble the chassis as follows, and it is strictly forbidden to use it if it is not assembled well.
- Take the two parts of the chassis and the unit body out of the carton box. Rotate the two parts of the chassis along the semicircular positioning slot until they are in the same level with the bottom surface and the clasps at the two sides are locked, and then the chassis assembly is completed.



- Let the power cord of the unit pass through the cable hole of the chassis. After aligning the chassis slot (big) with the chassis clasp (big), move the chassis to insert the clasp into the slot; rotate it counterclockwise and then install the power cord on the cable groove of the chassis. Pay attention to fix the power cable in the cable clasp and straighten it.





⏻ button

- After energizing the unit, press "⏻" button on the control panel or the remote control to switch startup and standby status.

🌀 button

- There are three kinds of fan speed adjustable.
- Under ON status, press "🌀" button to adjust the fan speed notch. The fan speed notch will be increased for every press (hold the button to adjust time quickly), after increasing to the highest notch, repress "🌀" button to return the lowest notch orderly and circularly, the fan speed indicator will conduct corresponding operation.
- Under on status, press "+" or "-" button on the remote controller to adjust the fan speed until to the max. or min. fan speed (hold the button to adjust time quickly)

🕒 button

- When the unit is turned on, press "🕒" button to select the time for standby (1h~7h; hold the button to adjust time quickly); when time is adjusted to 7h, press the button to cancel timer.
- Under standby status, press "🕒" button to select preset ON time (1h~7h; hold the button to adjust the timer quickly); when time is adjusted to 7h, press the button to cancel preset.

🌀 button

- Press this button to switch among "general wind", "natural wind" and "sleeping wind".
- Natural wind 🌀 : It blows wind by simulating natural wind according to the preset program. The fan speed will be increased or decreased naturally.
- Sleeping wind ☾ : Supply air by the preset program and it's suitable for sleeping. It's with auto notch decrease function.

🌀 button

- Under on status, press "🌀" button to turn on or turn off oscillation function.
- Do not forcibly rotate the fan body to change the fan direction; otherwise, it may damage the product.

🌀 button

- When the unit is turned on, after the humidify and anion functions are turned off, press "🌀" button switch them circularly (turn on humidify function→turn on anion function→humidify and anion functions are all turned on→humidify and anion functions are all turned off.)

Remote controller

- The function of some buttons on the remote controller is the same as that for the buttons on the control panel. During usage, align the infrared transmitting tube with the unit, nobarriers between the remote controller and the unit. (please take out the battery if not using the remote controller for a long time.)

Low water protection

- When there's not enough water in the water tank, the submersible pump stops for about 1min and the humidification indicator will flash for reminding.
- Once low water protection occurs, please restart the humidification function when the water injection is completed according to the "water injection method".

Half-light display

- If no operation in 40 consecutive seconds, the display will be half-on, press either button to exit half-on status.

Memory function

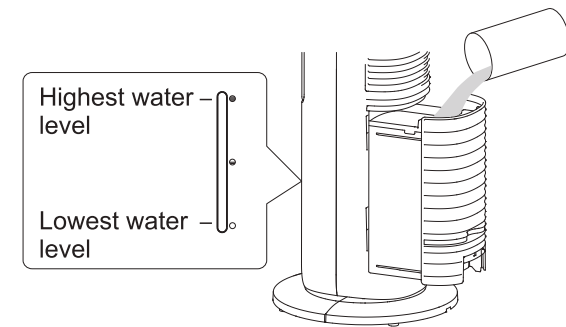
- This product has memory function. Under standby status, the operation status before standby will be memorized and the unit will work according to the memorized operation status when it is turned on again.

Auto standby

- Under working status, if no operation in 15 consecutive hours, the unit will enter standby status automatically.

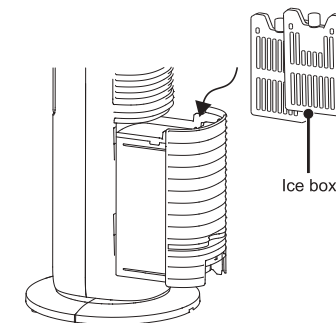
Water injection method

- Please be sure to cut off the power before pulling out the water tank.
- Draw out the water tank to inject the water. Please note the water level when injecting the water. Do not exceed the highest water level or lower than the lowest water level. If may cause overflowing when exceeding the maximum water level.
- Do not push or pull the water tank forcibly to prevent water overflowing or damaging parts. When drawing out the water tank, please make sure that the residual water inside the honeycomb cooling pad is flow back into the water tank to avoid the residual water flowing outside of the unit.



Ice box

- During usage, it's forbidden to open the cover of the ice box or eat the ice crystal in internal ice box. Before using, please place the ice box to the refrigerator for freezer for about 4 hours, then place it to the water of internal water tank.
- Put the ice box: draw out the water tank from the back side, and then put the ice box at the indicated side of water tank.
- Take out the ice box: draw out the water tank from the back side and then take out the ice box.
- The provided ice box can be used circularly.
- Before placing or taking out the ice box, make sure to turn off the unit and pull out the plug of the power cord.



02 Main Technical Parameters

Model	SAC0423
Rated Voltage	220-240V~
Rated Frequency	50Hz
Rated Power Input	50W
Rated Airflow	360m ³ /h
Rated Evaporation Capacity	600mL/h
Noise	63dB(A)
Type	Cooling Only

Note: ① Air volume and evaporation capacity will increase or decrease according to the ambient temperature.
② Please refer to the product for the detailed parameters.

03 Safety Regulation

Please follow this instruction manual strictly for correct operation. In order to prevent personal injury and property loss, please follow those safety regulations as below. If you don't follow these safety regulations, wrong operation may cause accident.

Prohibition

1. This appliance is not intended for use by persons (including children) with reduced physical, sensory or mental capabilities or lack of experience and knowledge, unless they have been given supervision or instruction concerning use of the appliance by a person responsible for their safety.
2. Children should be supervised to ensure that they do not play with the appliance.
3. When operating the product, do not place the power cord at the air outlet or let the power cord connect the surface of product which is close to the air outlet.
4. Do not wind the appliance with power cord; otherwise, the insulating coating of power cord will be damaged easily.
5. Prohibit inserting crabstick or metal stick into air inlet or air outlet.
6. Do not let liquid get into the air cooler.
7. Do not share the power socket with other electric appliances to prevent overload. The capacity of power socket should be the same with that of plug of electric appliances. Meanwhile, the plug must be inserted into the socket tightly.
8. Do not place the unit under high temperature or low temperature. In summertime, the water may be deteriorated and cause odor, please add fresh water in time. In wintertime when indoor temperature is below 0°C, please add warm water into the humidifier if you want to use it. After operation, please use a towel to dry the water tank.

Follow

1. If the supply cord is damaged, it must be replaced by the manufacturer, its service agent or similarly qualified persons in order to avoid a hazard.
2. When you do not use the product, please unplug the power plug; Please be careful when inserting or plugging the plug and do not pull the power cord by hand.

3. After the unit is filled with water, don't tilt or crash it when placing or moving the unit. If it is necessary to move the unit, please move it slowly to avoid overflowing. Tilting the unit during operation is prohibited. If the product is tilted and there's water in it, pull off the power plug immediately. Wait until the unit is completely dry and then you may turn on the unit. Or you may contact professional after-sales personnel to deal with it.
4. When the product is not to be used for a long time, please turn off the unit and unplug the power plug for preventing harm to the unit.
5. Do not bend the power cord or put heavy objects on the power cord.
6. This product is only for household use.
7. Unplug the appliance during filling and cleaning.

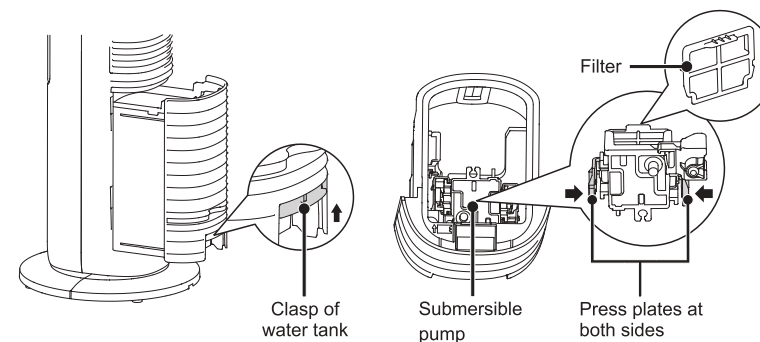
04 Maintenance

Cleaning of water tank

- Please be sure to cut off the power before maintenance.
- Place your thumb in the pressing groove of the water tank, and squeeze the clasp of the water tank upward with the remaining four fingers to pull out the water tank completely. Do not pull the water tank violently.
- The submersible pump sub-assy is fixed at the bottom of the water tank. When you reach into the water tank with one hand, gently pinch the pressing plates on both sides of the submersible pump to take out the submersible pump and pull out the filter of the submersible pump.
- Use a soft brush or soft cloth to clean the water tank and the filter of the submersible pump, and then clean them up with clear water.

Note: In order to keep the unit in the best operation condition and prolong the service life of the unit, please clean the water tank and the filter of the submersible pump once every two weeks.

Note: If the unit is used in a poor environment (such as too much dust or scale, or poor water quality), please increase the cleaning frequency appropriately.



Clean unit body

- Use the wet cloth to wipe the surface of the unit. Prohibit washing the unit with water.
- Do not use corrosive detergent to clean the unit.

05 Troubleshooting

Error	Malfunction cause	Method
The unit can't operate	電源線未接通電源或接觸不良	插上電源並確保接觸良好
	未開機	按操作指引內容開機
	內部接線松脫	送維修點維修
不加濕/潛水泵異響	水箱無水或水量低於水箱最低水位線	斷電加水，並確保水位高於最低水位
	潛水泵抽不上水	重複按“加濕”鍵直至潛水泵正常抽水
	潛水泵過濾網堵塞	清洗潛水泵過濾網
	濕簾組件出水孔堵塞	送維修點維修
	潛水泵損壞或內部接線松脫	送維修點維修
機體異響	機體內有雜物	送維修點維修
	風輪鬆動或電機故障	送維修點維修

06 Exception Clauses

Manufacturer will bear no responsibilities when personal injury or property loss is caused by the following reasons:

1. Damage the product due to improper use or misuse of the product;
2. Alter, change, maintain or use the product with other equipment without abiding by the instruction manual;
3. After verification, the defect of product is directly caused by corrosive gas;
4. After verification, defects are due to improper operation during transportation of product;
5. Operate, repair, maintain the unit without abiding by instruction manual or related regulations;
6. After verification, the problem or dispute is caused by the quality specification or performance of parts and components that produced by other manufacturers;
7. The damage is caused by natural calamities, bad using environment or force majeure.

07 Warranty

1. The product has 2 year warranty from the date of purchase.
2. The warranty shall not apply:
 - A. To any Product subjected to accident, misuse, neglect, alteration, Acts of God, improper handling, improper transport, improper use, improper testing or unauthorized repair;
 - B. To cosmetic problems or defects which result from normal wear and tear under ordinary use, and do not affect the performance or use of the product. All warranties are void if the product is opened, altered, and/or damaged;
 - C. To any packing, transportation, export / import tax or any related expenses.
3. **CUSTOMER MUST PRESENT THE SALES INVOICE OR RECEIPT FOR 2 YEAR WARRANTY SERVICES.**
4. Please bring along the product and sales invoice or receipt to our services center for warranty services during office hour as below:

Address: Unit 602, Fonda Industrial Building, 37-39, Au Pui Wan Street, Fo Tan, Shatin, New Territories, Hong Kong

Service Hotline: (852) 2341 2381

Email enquiry : ask@masswinning.com

Service Hours : 10:00-13:00, 14:00-17:00; Mon – Fri;
Sat, Sun & Public Holiday: Closed
5. To prevent circuit overload and fire, no more than one adaptor or one extension unit should be inserted into a socket outlet. (Do not connect other appliances to the socket outlet supplying an electric heater.) No adaptor should be inserted into any extension unit or vice versa.
6. Stop using an adaptor or extension unit or socket if its socket holes cannot firmly hold a plug or if it is too hard to insert a plug into it.
7. Please make sure the plug is fully plugged-in before use. Do not use any adapter or extension cord; Never use the same supply socket for this appliance and other appliances at the same time, in order to avoid damage to this appliance.
8. **THE APPLIANCE IS FOR HOUSEHOLD USE ONLY.**
9. This warranty is valid only for original GREE small home appliances sold by authorized dealers in Hong Kong and Macau.

ENVIRONMENT

Do not throw away the appliance with the normal household waste at the end of its life, but hand it in at an official collection point for recycling. By doing this, you help preserving the environment.



IMPORTANT NOTICES

IN NO EVENT SHALL OUR COMPANY OR THE SUPPLIER BE LIABLE TO YOU OR ANY OTHER PARTY FOR ANY DIRECT, INDIRECT, GENERAL SPECIAL, INCIDENTAL, CONSEQUENTIAL, EXEMPLARY OR OTHER DAMAGES ARISING OUT OF THE USE OR INABILITY TO USE THE PRODUCT (INCLUDING, WITHOUT LIMITATION, DAMAGES FOR INJURY, LOSS OF PROPERTY, BUSINESS PROFITS, BUSINESS INTERRUPTION) OR FROM ANY BREACH OF WARRANTY, EVEN IF OUR COMPANY OR SUPPLIER HAS BEEN ADVISED OF THE POSSIBILITY OF SUCH DAMAGES. IN NO CASE SHALL OUR COMPANY OR SUPPLIER'S LIABILITY EXCEED THE AMOUNT YOU PAID FOR THE PRODUCT.

Specifications, designs and dimensions are subject to change without prior notice.